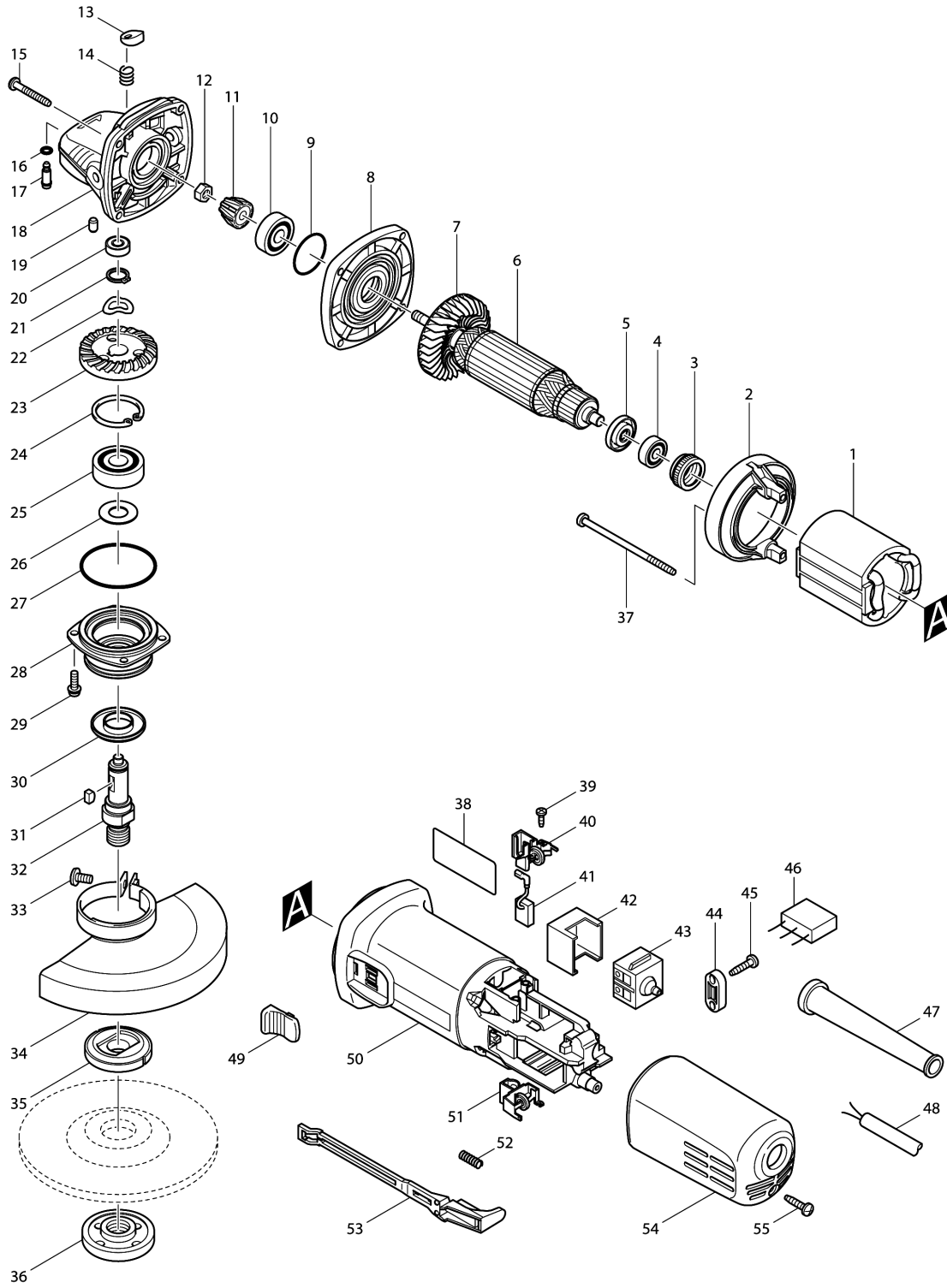


Model No.9558HN 125MM ANGLE GRINDER



Model No.9558HN 125MM ANGLE GRINDER

Item	Parts No.	Description	I/C	Qty	New/Old	Opt. 1	Opt. 2	Note
001	621708-9	FIELD 220-240V		1				
002	418770-1	BAFFLE PLATE		1	*			
002-1	457791-8	BAFFLE PLATE	<	1				
003	421868-5	LABYRINTH RUBBER RING 19		1				
004	210034-7	BALL BEARING 607LLB		1				
005	681636-0	INSULATION WASHER		1				
006	515613-9	ARMATURE ASS'Y 220-240V		1				
D10		INC. 4,5,7						
007	240076-7	FAN 56		1				
008	317821-6	GEAR HOUSING COVER		1				
009	213445-5	O-RING 26		1	*			
009-1	213407-3	O RING 26	O	1				
010	210042-8	BALL BEARING 629LLB		1				
011	227541-3	SPIRAL BEVEL GEAR 10		1				
012	252186-8	HEX. NUT M6		1				
013	417771-6	PIN CAP		1				
014	233376-2	COMPRESSION SPRING 8		1				
015A	266361-0	TAPPING SCREW 4X30		4	*			
015B	266361-0	TAPPING SCREW 4X30		4	*			
015-1A	266050-7	TAPPING SCREW 4X30	O	4				
015-1B	266050-7	TAPPING SCREW 4X30	O	4				
015-1C	266050-7	TAPPING SCREW 4X30		4				
016	213960-9	O RING 5		1				
017A	256486-8	SHOULDER PIN 4		1				
017B	256486-8	SHOULDER PIN 4		1				
017C	256546-6	SHOULDER PIN 4		1				
018A	317814-3	GEAR HOUSING		1	*			
018B	317814-3	GEAR HOUSING		1	*			
018C	318941-9	GEAR HOUSING		1				
018-1A	318051-2	GEAR HOUSING	O	1				
018-1B	318051-2	GEAR HOUSING	O	1				
019	263002-9	RUBBER PIN 4		1				
020	210033-9	BALL BEARING 696ZZ		1				
021	961052-5	RETAINING RING S-12		1				
022	267794-2	WAVE WASHER 12		1				
023	227542-1	SPIRAL BEVEL GEAR 37		1				
024	962151-6	RETAINING RING R-32		1				
025	211129-9	BALL BEARING 6201DDW		1				
026	267238-2	FLAT WASHER 12		1				
027	213622-9	O RING 45		1				
028A	317819-3	BEARING BOX		1	*			
028B	317819-3	BEARING BOX		1	*			

Model No.9558HN 125MM ANGLE GRINDER

Item	Parts No.	Description	I/C	Qty	New/Old	Opt. 1	Opt. 2	Note
028-1A	318331-6	BEARING BOX	S	1				
028-1B	318331-6	BEARING BOX	S	1				
028-1C	318331-6	BEARING BOX		1				
029	265099-4	PAN HEAD SCREW M4X14		4				
030	345464-4	LABYRINTH RING		1				
031	254011-9	WOODRUFF KEY 4		1				
032	324489-1	SPINDLE		1				
033A	265103-9	PAN HEAD SCREW M5X14		1	*			
033B	265103-9	PAN HEAD SCREW M5X14		1	*			
033-1A	265180-1	PAN HEAD SCREW M5X16	<	1				
033-1B	265180-1	PAN HEAD SCREW M5X16	<	1				
033-1C	265180-1	PAN HEAD SCREW M5X16		1				
034A	125268-8	WHEEL COVER ASS'Y		1	*			
D10		INC. 33			*			
034B	125268-8	WHEEL COVER ASS'Y		1	*			
D10		INC. 33			*			
034-1A	122887-1	WHEEL COVER 125K ASSY	S	1	*			
C10	213009-5	O RING 4		1	*			
D10		INC. 33			*			
034-1B	122887-1	WHEEL COVER 125K ASSY	S	1	*			
C10	213009-5	O RING 4		1	*			
D10		INC. 33			*			
034-1C	122887-1	WHEEL COVER 125K ASSY		1	*			
C10	213009-5	O RING 4		1	*			
D10		INC. 33			*			
034-2	123099-9	WHEEL COVER 125AK ASSEMBLY	<	1				
C10	213009-5	O RING 4		1				
D10		INC. 33						
035	224415-9	INNER FLANGE 42		1				
036	224554-5	LOCK NUT 14-45		1				
037A	266345-8	TAPPING SCREW 4X80		2	*			
037B	266345-8	TAPPING SCREW 4X80		2	*			
037-1A	266623-6	+BIND TAPPING SCREW 4X80	O	2				
037-1B	266623-6	+BIND TAPPING SCREW 4X80	O	2				
037-1C	266623-6	+BIND TAPPING SCREW 4X80		2				
038	865808-7	9558HN NAME PLATE		1				
039	266007-8	TAPPING SCREW BIND PT 3X10		4				
040	643760-7	BRUSH HOLDER		1				
041	194074-2	CARBON BRUSH CB-325		1				
042	418729-8	SPACER		1				
043	650560-8	SWITCH DPX-2110-R		1				

Model No.9558HN 125MM ANGLE GRINDER

Item	Parts No.	Description	I/C	Qty	New/Old	Opt. 1	Opt. 2	Note
044	687124-5	STRAIN RELIEF		1				
045A	266326-2	TAPPING SCREW 4X18		2	*			
045B	266326-2	TAPPING SCREW 4X18		2	*			
045-1A	265995-6	TAPPING SCREW 4X18	O	2				
045-1B	265995-6	TAPPING SCREW 4X18	O	2				
045-1C	265995-6	TAPPING SCREW 4X18		2				
046A	645233-6	NOISE SUPPRESSOR		1	*			
046B	645233-6	NOISE SUPPRESSOR		1	*			
046-1A	638740-6	CAPACITOR UNIT	S	1				
046-1B	638740-6	CAPACITOR UNIT	S	1				
046-1C	638740-6	CAPACITOR UNIT		1				
047	682559-5	CORD GUARD 8		1				
048	665394-6	POWER SUPPLY CORD 1.0-2-2.5		1				
049	419566-3	SWITCH KNOB		1				
050A	418725-6	MOTOR HOUSING		1	*			
050B	418725-6	MOTOR HOUSING		1	*			
050-1A	451125-7	MOTOR HOUSING	<	1				
050-1B	451125-7	MOTOR HOUSING	<	1				
050-1C	451125-7	MOTOR HOUSING		1				
051	643760-7	BRUSH HOLDER		1				
052	233121-5	COMPRESSION SPRING 4		1				
053	418728-0	SWITCH LEVER B		1				
054	418726-4	REAR COVER		1				
055A	266326-2	TAPPING SCREW 4X18		1	*			
055B	266326-2	TAPPING SCREW 4X18		1	*			
055-1A	265995-6	TAPPING SCREW 4X18	O	1				
055-1B	265995-6	TAPPING SCREW 4X18	O	1				
055-1C	265995-6	TAPPING SCREW 4X18		1				
056	819329-1	CLEAR LABEL		1	*			
056-1	805W65-3	CLEAR LABEL	O	1	*			
A01	153489-2	GRIP 36 COMPLETE		1				
A02	782423-1	LOCK NUT WRENCH 35		1				
A03B	183981-4	STEEL CASE SET		1	*			
C10	819033-2	MAKITA LABEL		1	*			
A03-1B	188627-7	STEEL CASE SET	O	1	*			
A03-2B	823256-6	STEEL CASE	S	1				
A07B	837230-8	TRAY	S	1				

Please order the parts with part number.

Print Date 25/3/2020