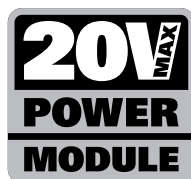
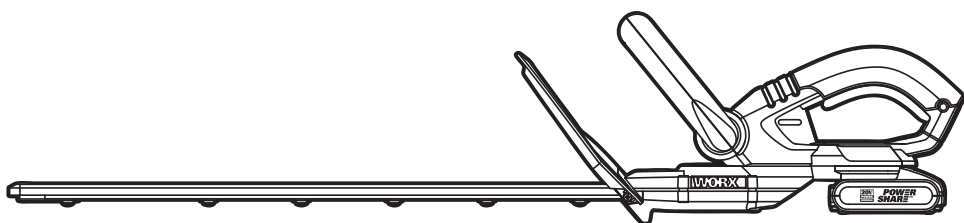


WORX®



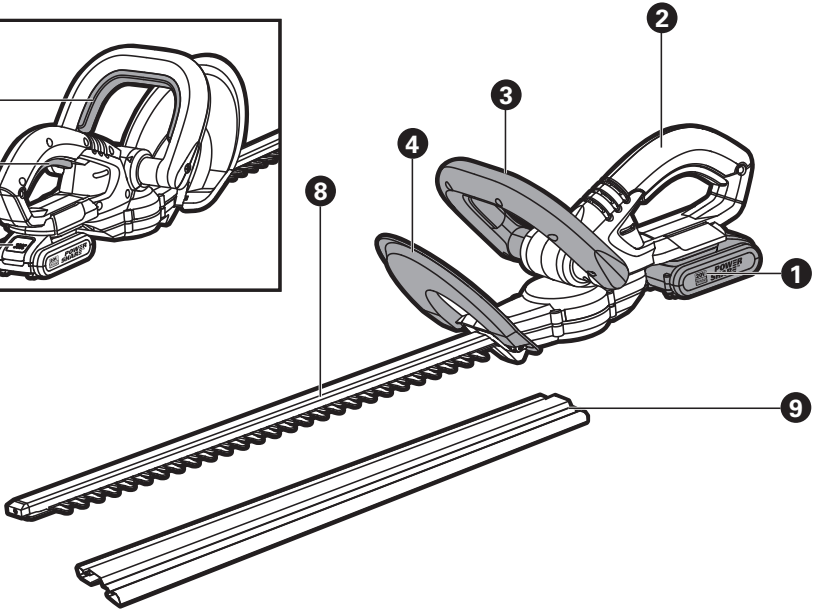
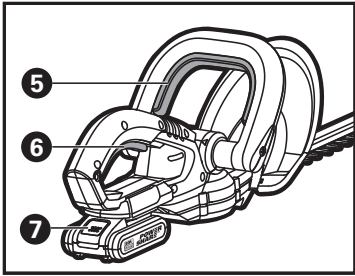
Hedge Trimmer

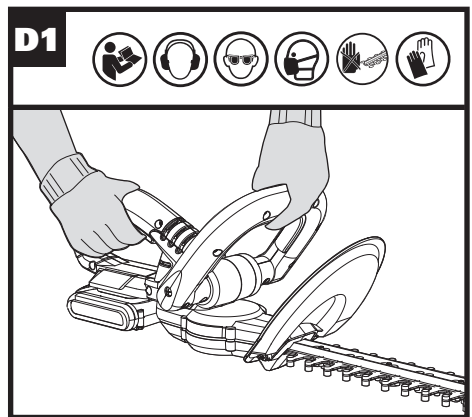
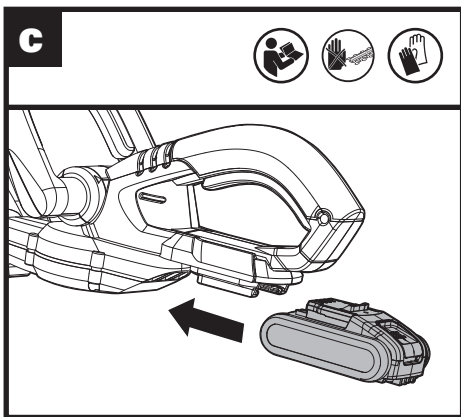
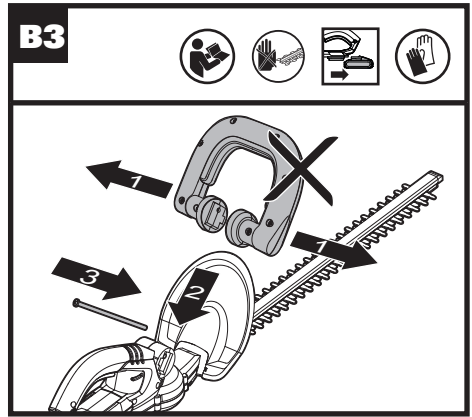
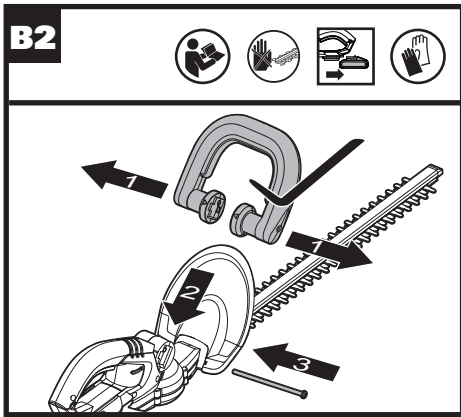
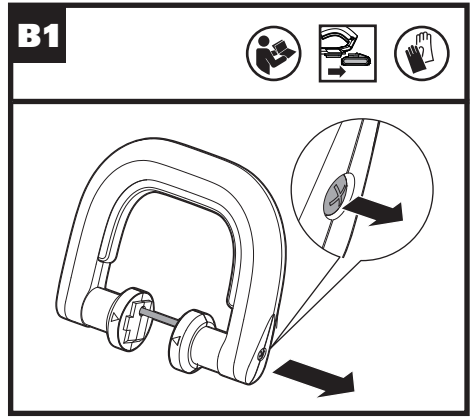
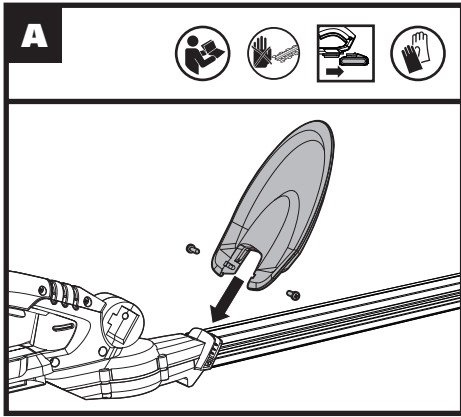
EN P05

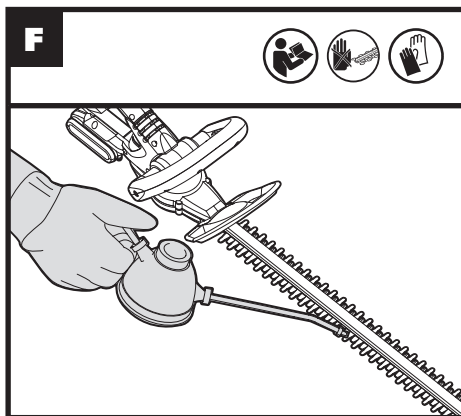
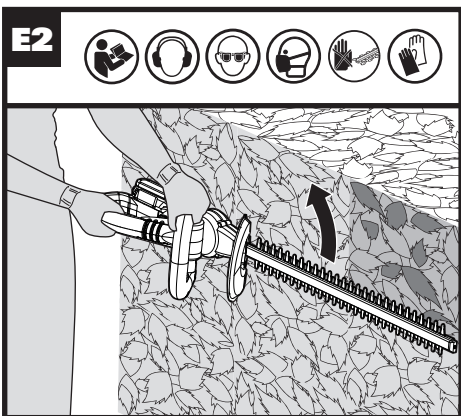
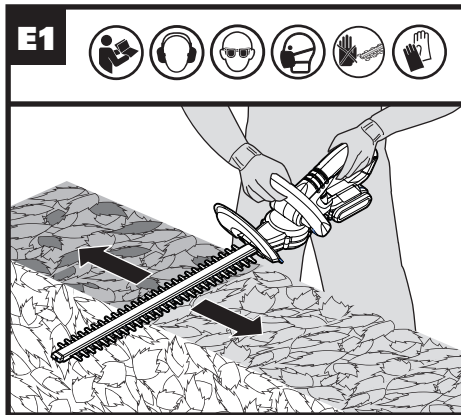
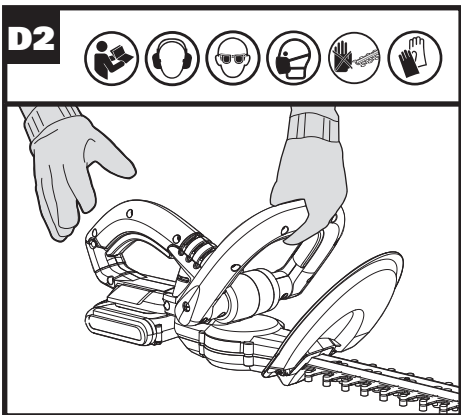
Аккумуляторные шпалерные ножницы 20Вт

RU P12

**WG259E WG259E.5 WG259E.9
WG260E WG260E.9**







ORIGINAL INSTRUCTIONS

PRODUCT SAFETY

GENERAL POWER TOOL SAFETY WARNINGS



WARNING: Read all safety warnings and all instructions. Failure to follow the warnings and instructions may result in electric shock, fire and/or serious injury.

Save all warnings and instructions for future reference.

The term "power tool" in the warnings refers to your mains-operated (corded) power tool or battery-operated (cordless) power tool.

1. WORK AREA SAFETY

- a) **Keep work area clean and well lit. Cluttered or dark areas invite accidents.**
- b) **Do not operate power tools in explosive atmospheres, such as in the presence of flammable liquids, gases or dust.** Power tools create sparks which may ignite the dust or fumes.
- c) **Keep children and bystanders away while operating a power tool.** Distractions can cause you to lose control.

2. ELECTRICAL SAFETY

- a) **Power tool plugs must match the outlet. Never modify the plug in any way. Do not use any adapter plugs with earthed (grounded) power tools.** Unmodified plugs and matching outlets will reduce risk of electric shock.
- b) **Avoid body contact with earthed or grounded surfaces, such as pipes, radiators, ranges and refrigerators.** There is an increased risk of electric shock if your body is earthed or grounded.
- c) **Do not expose power tools to rain or wet conditions.** Water entering a power tool will increase the risk of electric shock.
- d) **Do not abuse the cord. Never use the cord for carrying, pulling or unplugging the power tool. Keep cord away from heat, oil, sharp edges or moving parts.** Damaged or entangled cords increase the risk of electric shock.
- e) **When operating a power tool outdoors, use an extension cord suitable for outdoor use.** Use of a cord suitable for outdoor use reduces the risk of electric shock.
- f) **If operating a power tool in a damp location is unavoidable, use a residual current device (RCD) protected supply.** Use of an RCD reduces the risk of electric shock.

3. PERSONAL SAFETY

- a) **Stay alert, watch what you are doing and**

use common sense when operating a power tool. Do not use a power tool while you are tired or under the influence of drugs, alcohol or medication. A moment of inattention while operating power tools may result in serious personal injury.

- b) **Use personal protective equipment. Always wear eye protection.** Protective equipment such as dust mask, non-skid safety shoes, hard hat, or hearing protection used for appropriate conditions will reduce personal injuries.
- c) **Prevent unintentional starting. Ensure the switch is in the off-position before connecting to power source and/or battery pack, picking up or carrying the tool.** Carrying power tools with your finger on the switch or energising power tools that have the switch on invites accidents.
- d) **Remove any adjusting key or wrench before turning the power tool on.** A wrench or a key left attached to a rotating part of the power tool may result in personal injury.
- e) **Do not overreach. Keep proper footing and balance at all times.** This enables better control of the power tool in unexpected situations.
- f) **Dress properly. Do not wear loose clothing or jewellery. Keep your hair, clothing and gloves away from moving parts.** Loose clothes, jewellery or long hair can be caught in moving parts.
- g) **If devices are provided for the connection of dust extraction and collection facilities, ensure these are connected and properly used.** Use of dust collection can reduce dust-related hazards.

4. POWER TOOL USE AND CARE

- a) **Do not force the power tool. Use the correct power tool for your application.** The correct power tool will do the job better and safer at the rate for which it was designed.
- b) **Do not use the power tool if the switch does not turn it on and off.** Any power tool that cannot be controlled with the switch is dangerous and must be repaired.
- c) **Disconnect the plug from the power source and/or the battery pack from the power tool before making any adjustments, changing accessories, or storing power tools.** Such preventive safety measures reduce the risk of starting the power tool accidentally.
- d) **Store idle power tools out of the reach of children and do not allow persons unfamiliar with the power tool or these instructions to operate the power tool.** Power tools are dangerous in the hands of untrained users.
- e) **Maintain power tools. Check for misalignment or binding of moving parts, breakage of parts and any other condition that may affect the power tool's operation.**

If damaged, have the power tool repaired before use. Many accidents are caused by poorly maintained power tools.

- f) **Keep cutting tools sharp and clean.** Properly maintained cutting tools with sharp cutting edges are less likely to bind and are easier to control.
- g) **Use the power tool, accessories and tool bits etc. in accordance with these instructions, taking into account the working conditions and the work to be performed.** Use of the power tool for operations different from those intended could result in a hazardous situation.

5. BATTERY TOOL USE AND CARE

- a) **Recharge only with the charger specified by the manufacturer.** A charger that is suitable for one type of battery pack may create a risk of fire when used with another battery pack.
 - b) **Use power tools only with specifically designated battery packs.** Use of any other battery packs may create a risk of injury and fire.
 - c) **When battery pack is not in use, keep it away from other metal objects, like paper clips, coins, keys, nails, screws or other small metal objects, that can make a connection from one terminal to another.** Shorting the battery terminals together may cause burns or a fire.
 - d) **Under abusive conditions, liquid may be ejected from the battery; avoid contact. If contact accidentally occurs, flush with water. If liquid contacts eyes, additionally seek medical help.** Liquid ejected from the battery may cause irritation or burns.
- 6
- 6. **SERVICE**
 - a) **Have your power tool serviced by a qualified repair person using only identical replacement parts.** This will ensure that the safety of the power tool is maintained.

HEDGE TRIMMER SAFETY WARNINGS

- 1. **Keep all parts of the body away from the cutter blade. Do not remove cut material or hold material to be cut when blades are moving. Make sure the switch is off when clearing jammed material.** A moment of inattention while operating the hedge trimmer may result in serious personal injury.
- 2. **Carry the hedge trimmer by the handle with the cutter blade stopped. When transporting or storing the hedge trimmer always fit the cutting device cover.** Proper handling of the hedge trimmer will reduce possible personal injury from the cutter blades.
- 3. **Hold the power tool by insulated gripping**

surfaces only, because the cutter blade may contact hidden wiring. Cutter blades contacting a "live" wire may make exposed metal parts of the power tool "live" and could give the operator an electric shock.

- 4. Check the hedge for foreign objects, e.g. wire fences.
- 5. Use both hands when operating the hedge trimmer. Using one hand could cause loss of control and result in serious personal injury.




SAFETY WARNINGS FOR BATTERY PACK

- a) **Do not dismantle, open or shred cells or battery pack.**
- b) **Do not short-circuit a battery pack. Do not store battery packs haphazardly in a box or drawer where they may short-circuit each other or be short-circuited by conductive materials.** When battery pack is not in use, keep it away from other metal objects, like paper clips, coins, keys, nails, screws or other small metal objects, that can make a connection from one terminal to another. Shorting the battery terminals together may cause burns or a fire.
- c) **Do not expose battery pack to heat or fire. Avoid storage in direct sunlight.**
- d) **Do not subject battery pack to mechanical shock.**
- e) **In the event of battery leaking, do not allow the liquid to come into contact with the skin or eyes. If contact has been made, wash the affected area with copious amounts of water and seek medical advice.**
- f) **Seek medical advice immediately if a cell or battery pack has been swallowed.**
- g) **Keep battery pack clean and dry.**
- h) **Wipe the battery pack terminals with a clean dry cloth if they become dirty.**
- i) **Battery pack needs to be charged before use. Always refer to this instruction and use the correct charging procedure.**
- j) **Do not maintain battery pack on charge when not in use.**
- k) **After extended periods of storage, it may be necessary to charge and discharge the battery pack several times to obtain maximum performance.**
- l) **Battery pack gives its best performance when it is operated at normal room temperature (20°C ± 5°C).**
- m) **When disposing of battery packs, keep battery packs of different electrochemical systems separate from each other.**
- n) **Recharge only with the charger specified by WORX. Do not use any charger other than that specifically provided for use with the equipment.** A charger that is suitable for one type of battery pack may create a risk of fire when used with another battery pack.

- o) Do not use any battery pack which is not designed for use with the equipment.**
- p) Keep battery pack out of the reach of children.**
- q) Retain the original product literature for future reference.**
- r) Remove the battery from the equipment when not in use.**
- s) Dispose of properly.**

SYMBOLS

	Warning
	To reduce the risk of injury, user must read instruction manual
	Wear ear protection
	Wear eye protection
	Wear dust mask
	Keep hands away
	Remove battery from the socket before carrying out any adjustment, servicing or maintenance.
 Li-Ion	Do not dispose of batteries. Return exhausted batteries to your local collection or recycling point.
	Do not expose to rain


	Do not expose to rain or water
	Do not burn
	Waste electrical products must not be disposed of with household waste. Please recycle where facilities exist. Check with your local authorities or retailer for recycling advice.

1. BATTERY PACK*
2. REAR HANDLE
3. FRONT HANDLE
4. SAFETY GUARD
5. FRONT SWITCH LEVER (ALL AROUND SWITCH FUNCTION)
6. REAR SWITCH LEVER
7. BATTERY PACK RELEASE LATCH
8. BLADE
9. BLADE SHEATH*

* Not all the accessories illustrated or described are included in standard delivery.

TECHNICAL DATA

Type **WG259E WG259E.5 WG259E.9 WG260E WG260E.9** (230-269- designation of machinery, representative of cordless hedge trimmer)

	WG259E	WG259E.5	WG259E.9	WG260E	WG260E.9
Voltage	220-240V~50/60Hz				
Power	20V  Max** Lithium				
No load speed	2200/min				
Max.cutting length	52cm			61cm	
Max.cutting diameter	14mm			19mm	
Charging time	5hr approx.	1hr approx.	/	5hr approx.	/
Machine weight	2.5kg	2.5kg	2.1kg	2.5kg	2.1kg

**Voltage measured without workload. Initial battery voltage reaches maximum of 20 volts. Nominal voltage is 18 volts..

NOISE INFORMATION

A weighted sound pressure L_{pA} : 77dB(A)

A weighted sound power L_{wA} : 90dB(A)

K_{pA} 3.0dB(A)

80dB(A)

Wear ear protection when sound pressure is over



VIBRATION INFORMATION

Vibration total values (triax vector sum) determined according to EN 60745:

Vibration emission value $a_{hv}=2.2m/s^2$

Uncertainty $K = 1.5m/s^2$

The declared vibration total value may be used for comparing one tool with another, and may also be used in a preliminary assessment of exposure.



WARNING: The vibration emission value during actual use of the power tool can differ from the declared value depending on the ways in which the tool is used dependant on the following examples and other variations on how the tool is used:

How the tool is used and the materials being cut or drilled.

The tool being in good condition and well maintained

The use the correct accessory for the tool and ensuring it is sharp and in good condition.

The tightness of the grip on the handles and if any anti vibration accessories are used.

And the tool is being used as intended by its design and these instructions.

This tool may cause hand-arm vibration syndrome if its use is not adequately managed.



WARNING: To be accurate, an estimation of exposure level in the actual conditions of use should also take account of all parts of the operating cycle such as the times when the tool is switched off and when it is running idle but not actually doing the job. This may significantly reduce the exposure level over the total working period.

Helping to minimize your vibration exposure risk.

ALWAYS use sharp chisels, drills and blades.

Maintain this tool in accordance with these instructions and keep well lubricated (where appropriate).

If the tool is to be used regularly then invest in anti vibration accessories.

Avoid using tools in temperatures of 10°C or less.

Plan your work schedule to spread any high vibration tool use across a number of days.

9

ACCESSORIES

	WG259E	WG259E.5	WG259E.9	WG260E	WG260E.9
Blade sheath	1	1	1	1	1
Safety guard	1	1	1	1	1
Charger	1 (WA3760)	1 (WA3860)	/	1 (WA3760)	/
Battery pack	1 (WA3551.1)	1 (WA3551.1)	/	1(WA3551)	/

We recommend that you purchase your accessories from the same store that sold you the tool. Refer to the accessory packaging for further details. Store personnel can assist you and offer advice.

OPERATING INSTRUCTIONS



NOTE: Before using the tool, read the instruction book carefully.

INTENDED USE

The machine is intended for cutting and trimming hedges and bushes in domestic use.



WARNING! DO NOT USE THE PRODUCT WITHOUT ATTACHING THE GUARD AND FRONT HANDLE.

ASSEMBLY & OPERATION

ACTION	FIGURE
ASSEMBLY	
Assembling the safe guard	See Fig. A
Assembling the Front Handle NOTE: Handle screws need to face the safety guard. If front handle is assembled backwards, tool will not power on.	See Fig. B1, B2, B3
Installing and Removing the battery pack	See Fig. C
Charging the battery pack Your battery pack is UNCHARGED, you must charge before use. More details can be found in WA3760 (for WG259E/WG260E) or WA3860 (for WG259E.5) manual	
OPERATION	
Starting and stopping	See Fig. D1, D2
Top cutting WARNING: If any parts are missing, damaged or broken, do not operate your hedge trimmer until all damaged parts have been replaced or repaired. Failure to do so could result in serious personal injury. DO NOT USE WITHOUT FRONT HANDLE AND SAFETY GUARD.	See Fig. E1
Side cutting	See Fig. E2
Lubricating the Cutting Blade NOTE: It is important to use only the recommended standard lubricating oil (WD-40) to avoid damage to the blade.	See Fig. F

HOW TO USE YOUR HEDGE TRIMMER

Note that the front switch lever can be activated on three sides, giving you many choices for a comfortable grip. Before cutting an area, inspect it first and remove any foreign objects that could become thrown or entangled in the blades. Always hold the trimmer with both hands and with the blade away from you before turning it on.

When trimming new growth, use a wide sweeping action so that the stems are fed directly into the blade. (See Fig. E1& E2)

Allow the cutting blades to reach full speed before cutting. When operating, keep the cutting blades away from people and objects such as walls, large stones, trees, vehicles, etc.

If the blade stalls, immediately stop the trimmer. Release the two Switch Levels (5 & 6) before attempting to clear jammed debris from the cutting blades.

Wear gloves when trimming thorny or prickly growth.

Do not attempt to cut stems that are too thick for the cutting blade.

TOP CUTTING

Use a wide sweeping motion (See Fig. E1). A slight downward tilt of the cutting blades in the direction of motion gives the best cutting results.

SIDE CUTTING

When trimming the sides of the hedge, begin at the bottom and cut upwards (See Fig. E2), tapering the hedge inward at the top. This shape will expose more of the hedge, resulting in a more uniformed growth.

MAINTENANCE

Remove battery before carrying out any adjustment, servicing or maintenance.

There are no user serviceable parts in your power tool. Never use water or chemical cleaners to clean your power tool. Wipe clean with a dry cloth. Always store your power tool in a dry place. Keep the motor ventilation slots clean. Keep all working controls free of dust.

ENVIRONMENTAL PROTECTION



Waste electrical products must not be disposed of with household waste. Please recycle where facilities exist. Check with your local authorities or retailer for recycling advice.

DECLARATION OF CONFORMITY

We,
Positec Germany GmbH
Grüner Weg 10, 50825 Cologne, Germany

Declare that the product,
Description **WORX Cordless Hedge Trimmer**
Type **WG259E WG259E.5 WG259E.9 WG260E
WG260E.9 (230-269- designation of machinery,
representative of cordless hedge trimmer)**
Function **Trimming hedges and brushes**

Complies with the following Directives,
2006/42/EC
2014/30/EU
2011/65/EU
2000/14/EC amended by 2005/88/EC

2000/14/EC amended by 2005/88/EC:
- Conformity Assessment Procedure as per
Annex V
- Measured Sound Power Level **87.1dB(A)**
- Declared Guaranteed Sound Power Level
90dB(A)

Standards conform to,
EN 60745-1
EN 60745-2-15
EN ISO 3744
EN 55014-1
EN 55014-2

The person authorized to compile the technical file,
Name Marcel Filz
Address Positec Germany GmbH
Grüner Weg 10, 50825 Cologne, Germany



2018/01/10
Allen Ding
Deputy Chief Engineer, Testing & Certification
Positec Technology (China) Co., Ltd
18, Dongwang Road, Suzhou Industrial
Park, Jiangsu 215123, P. R. China

УКАЗАНИЯ ПО ТЕХНИКЕ БЕЗОПАСНОСТИ ОБЩИЕ ПРАВИЛА ТЕХНИКИ БЕЗОПАСНОСТИ ПРИ РАБОТЕ С ЭЛЕКТРОИНСТ- РУМЕНТОМ



ПРЕДУПРЕЖДЕНИЕ! Внимательно ознакомьтесь с инструкциями.

Невыполнение всех нижеприведенных инструкций и рекомендаций может привести к поражению электрическим током, пожару и серьезным травмам.

Сохраните эти инструкции!

В дальнейшем термин “электроинструмент” используется как для работающего от сети (проводного) электроинструмента, так и для электроинструмента, работающего от аккумулятора (беспроводного).

1. РАБОЧЕЕ МЕСТО

а) Содержите рабочее место в чистоте и хорошо освещенным. Загроможденные верстаки и темные зоны способствуют возникновению несчастных случаев.

б) Не работайте с инструментом во взрывоопасной атмосфере, в присутствии воспламеняемых жидкостей, газов или пыли.

Возникающие при работе электроинструмента искры могут привести к воспламенению горючих веществ.

в) При работе с инструментом дети и посторонние должны находиться на безопасном расстоянии. Отвлечение внимания может привести к потере вами контроля.

2. ЭЛЕКТРОБЕЗОПАСНОСТЬ

а) Штепсельные вилки электроинструментов должны соответствовать розеткам. Никогда никоим образом не изменяйте соединительную вилку. При заземленных электроинструментах не используйте никаких переходников. Неизменные вилки и соответствующие розетки снижают риск поражения электротоком.

б) Избегайте физического контакта с заземленными поверхностями, такими, как трубы, радиаторы, плиты и холодильники. Риск поражения электротоком повышается, если ваше тело

будет заземлено.

в) Не подвергайте электроинструменты воздействию дождя или высокой влажности. Попадание воды в электроинструмент повышает опасность поражения электротоком.

г) Правильно обращайтесь с электрокабелем. Никогда не используйте кабель для переноски электроинструмента, а также не тяните за кабель для выключения из розетки. Держите кабель на безопасном расстоянии от источников тепла, масла, острых кромок и движущихся частей.

Поврежденные или запутанные кабели повышают риск поражения электротоком.

д) При работе с электроинструментом вне помещений используйте удлинители, которые предназначены для работы на открытом воздухе. Это снижает риск поражения электротоком.

е) При использовании электроинструмента во влажном помещении его необходимо подключать к электросети через устройство защитного отключения (УЗО) по току утечки. Использование УЗО снижает риск поражения электротоком.

3. ЛИЧНАЯ БЕЗОПАСНОСТЬ

а) Будьте внимательны: следите за тем, что вы делаете и руководствуйтесь здравым смыслом, работая с электроинструментом. Не используйте электроинструмент, если вы устали или находитесь под воздействием сильнодействующих средств, алкоголя или медикаментов. Потеря внимания даже на короткое мгновение при работе с электроинструментом может привести к серьезным травмам.

б) Используйте индивидуальные средства защиты. Всегда надевайте средства защиты глаз.

Такие средства защиты, как респиратор, нескользящая защитная обувь, каска или защитные наушники, используемые в соответствующих условиях, снижают риск получения травм.

в) Предотвращайте случайный пуск электроинструмента. Убедитесь, что выключатель находится в положении «Выключено» перед подключением к электросети и / или аккумуляторной батарее, сборкой или переносом электроинструмента. Перед включением в сеть убедитесь, что выключатель находится в выключенном положении. Переноска инструмента с пальцем на кнопке пуска или включение в сеть электроинструмента с

включенным выключателем способствует несчастному случаю.

- г) **Удаляйте все регулировочные приспособления или гаечные ключи перед включением электроинструмента.** Оставленные на вращающихся деталях электроинструмента, они могут привести к травме.
- д) **Не перенапрягайтесь. Постоянно занимайте устойчивое положение и поддерживайте равновесие.** Это позволяет лучше контролировать электроинструмент в непредвиденных ситуациях.
- е) **Одевайтесь надлежащим образом. Не надевайте свободную одежду или украшения. Держите волосы, одежду и перчатки на расстоянии от движущихся частей.** Свободную одежду, украшения или длинные волосы может затянуть в движущиеся части.
- ж) **Используйте предусмотренные средства и устройства для сбора и удаления пыли.** Использование таких средств может снизить опасности, связанные с пылью.

4. ИСПОЛЬЗОВАНИЕ

ЭЛЕКТРОИНСТРУМЕНТА И УХОД ЗА НИМ

- а) **Не перегружайте электроинструмент. Используйте подходящий инструмент для каждой определенной цели.** Правильно подобранный электроинструмент выполнит работу лучше и надежнее на уровне, для которого он предназначен.
- б) **Не используйте электроинструмент, если выключатель невозможно включить или выключить.** Любой электроинструмент, который невозможно контролировать выключателем, представляет опасность и должен быть отремонтирован.
- в) **Отсоедините штепсель от электросети и / или аккумуляторную батарею от электроинструмента перед проведением каких-либо настроек, сменой насадок или хранением электроинструмента.** Подобные предохранительные меры снижают опасность случайного пуска электроинструмента.
- г) **Храните не использующиеся электроинструменты в местах, недоступных для детей. Не разрешайте работать с электроинструментом лицам, которые не знают его особенностей или не ознакомлены с данной инструкцией.** Электроинструменты в руках необученных пользователей представляют опасность.
- д) **Поддерживайте электроинструмент в исправном состоянии. Проверяйте инструмент на предмет смещения или заедания движущихся частей, поломки деталей или любых иных**

неисправностей, могущих повлиять на работу электроинструмента. В случае повреждения следует отремонтировать электроинструмент перед применением. Многие несчастные случаи вызваны плохим уходом за электроинструментом.

- е) **Режущий инструмент должен быть заточенным и чистым.** При поддержании режущих инструментов в надлежащем состоянии и с острыми режущими кромками вероятность их заклинивания уменьшается и ими легче управлять.
- ж) **Используйте электроинструмент, принадлежность, сверла и т. п. в соответствии с данными инструкциями, спецификой конкретного типа электроинструмента, учитывая условия работы и выполняемую задачу.** Использование электроинструмента для иных операций, помимо тех, для которых он предназначен, может привести к возникновению опасной ситуации.

5. ИСПОЛЬЗОВАНИЕ АККУМУЛЯТОРНОГО ИНСТРУМЕНТА И УХОД ЗА НИМ

- а) **Подзарядку аккумулятора производите только оригинальным зарядным устройством.** Зарядное устройство, которое подходит для одного типа аккумуляторной батареи, может привести к пожару, когда используется с другим типом аккумуляторной батареи.
 - б) **Используйте аккумуляторный инструмент только с оригинальными аккумуляторами.** Использование любого другого типа аккумулятора может привести к травме или пожару.
 - в) **Неиспользуемые аккумуляторные батареи храните отдельно от металлических предметов, таких как скрепки для бумаги, монеты, ключи, гвозди, винты и тому подобное, которые могут замкнуть контакты батареи.** Замыкание контактов аккумуляторной батареи может привести к ожогу или пожару.
 - г) **В критических ситуациях из аккумулятора может вытекать жидкость – избегайте контакта с ней. Если жидкость все же попала на поверхность кожи – смойте ее большим количеством воды. При попадании жидкости в глаза срочно обратитесь за медицинской помощью.** Жидкость, вытекающая из аккумулятора, может вызвать раздражение или ожоги.
- #### 6. СЕРВИС
- а) **Ремонт электроинструмента должно выполняться квалифицированным персоналом с использованием**

только оригинальных запасных частей. Это обеспечит гарантию безопасности его использования.

ПРАВИЛА ТЕХНИКИ БЕЗОПАСНОСТИ ПРИ РАБОТЕ С МАШИНОЙ ДЛЯ ПОДРЕЗАНИЯ ЖИВОЙ ИЗГОРОДИ

1. **Держитесь на безопасном расстоянии от режущего ножа. Не удаляйте срезанный материал и не держите материал для среза во время движения ножей. При очистке застрявшего материала убедитесь, что питание отключено.** Невнимательность при работе со шпалерными ножницами может привести к серьезным травмам.
2. **Шпалерные ножницы следует переносить, держа за ручку, при остановленном режущем диске. При транспортировке или хранении шпалерных ножниц всегда надевайте крышку режущего устройства.** Надлежащее обращение со шпалерными ножницами поможет снизить риск получения травм от режущих ножей.
3. **Держите инструмент за изолированные поверхности при выполнении операций, когда режущий инструмент может коснуться скрытой проводки.** При контакте с проводкой, находящейся под напряжением, металлические детали инструмента тоже находятся под напряжением и могут вызвать поражение оператора электрическим током.
4. Проверьте наличие в кустарнике инородных предметов, таких, например, как проволочные изгороди.
5. При работе с машиной для подрезки живой изгороди держите ее двумя руками. Если удерживать машину одной рукой, вероятно получение травмы вследствие потери управления.

ПРАВИЛА ТЕХНИКИ БЕЗОПАСНОСТИ ДЛЯ АККУМУЛЯТОРНОЙ БАТАРЕИ

- a) **Не допускается разбирать, вскрывать, измельчать элементы питания и аккумуляторную батарею.**
- b) **Не допускается накоротко замыкать**

элементы питания или аккумулятор. Не допускается беспорядочно хранить элементы питания или аккумулятор в коробке или ящике, где они могут замкнуть друг друга или могут быть замкнуты другими металлическими предметами. Если аккумуляторная батарея не используется, держите ее подальше от металлических предметов, таких как зажимы, монеты, гвозди, винты и прочие металлические предметы небольшого размера, которые могут соединить клеммы друг с другом. Короткое замыкание клемм батареи может стать причиной ожогов или пожара.

- c) **Не допускается подвергать аккумуляторную батарею воздействию высоких температур или пламени. Избегайте хранения аккумуляторной батареи в местах, подверженных воздействию прямого солнечного света.**
- d) **Не допускается подвергать аккумуляторную батарею механическим ударам**
- e) **В случае протечки аккумулятора батареи, не допускайте контакта электролита с кожей или глазами. В случае такого контакта необходимо промыть пораженный участок обильным количеством воды и обратиться за медицинской помощью.**
- f) **В случае проглатывания элемента питания или аккумулятора необходимо незамедлительно обратиться за медицинской помощью.**
- g) **Аккумуляторную батарею необходимо содержать в чистоте и сухости.**
- h) **В случае загрязнения контактов аккумуляторной батареи их необходимо протереть чистой сухой тканью.**
- i) **Аккумуляторную батарею необходимо заряжать перед использованием. Всегда следуйте данной инструкции и используйте правильный порядок зарядки.**
- j) **Не допускается оставлять аккумулятор на зарядном устройстве, если он не используется.**
- k) **После продолжительного хранения может потребоваться несколько раз зарядить и разрядить аккумуляторную батарею для достижения максимальной эффективности ее работы.**
- l) **Аккумуляторная батарея работает наиболее эффективно при нормальной комнатной температуре (20°C ±5°C).**
- m) **При утилизации аккумуляторных батарей держите их отдельно от других электромеханических систем.**
- n) **Используйте только зарядные устройства, указанные WORX. Не допускается использовать какие-либо зарядные устройства, за исключением специально предназначенных для**

данного оборудования. Зарядное устройство, которое подходит для одной аккумуляторной батареи, может стать причиной пожара при использовании с другой аккумуляторной батареей.

- o) Не допускается использовать какие-либо аккумуляторные батареи, не предназначенные для использования с данным оборудованием.
- p) Храните аккумуляторную батарею в местах, недоступных для детей.
- q) Следует сохранить оригинальную документацию на изделие для будущего использования.
- r) По возможности извлекайте аккумуляторную батарею из изделия, если она не используется.
- s) Утилизируйте аккумуляторную батарею должным образом.

УСЛОВНЫЕ ОБОЗНАЧЕНИЯ

	Предупреждение
	Для сокращения риска травмы пользователь должен прочитать руководство по эксплуатации прибора
	Наденьте защитные наушники
	Наденьте защитные очки
	Наденьте респиратор
	Удерживать руки на безопасном расстоянии
	Перед выполнением наладочных работ, обслуживания и ремонта выньте батарею

 Li-Ion 	Не выбрасывайте аккумуляторы. Возвратите использованные аккумуляторы на местный пункт сбора или утилизации.
	Не оставляйте под дождем или водой
	Не подвергать воздействию дождя или воды
	Не поджигать
 	Отходы электротехнической продукции не следует утилизировать с бытовыми отходами. Они должны быть доставлены в местный центр утилизации для надлежащей переработки.

1. АККУМУЛЯТОР*

2. ЗАДНЯЯ РУКОЯТКА

3. ПЕРЕДНЯЯ РУЧКА

4. ПРЕДОХРАНИТЕЛЬНОЕ УСТРОЙСТВО

5. ФРОНТАЛЬНЫЙ РЫЧАЖОК ПЕРЕКЛЮЧАТЕЛЯ

6. РЫЧАЖОК ПЕРЕКЛЮЧАТЕЛЯ

7. ФИКСАТОР АККУМУЛЯТОРНОЙ БАТАРЕИ

8. ЛЕЗВИЕ

9. ЧЕХОЛ ДЛЯ НОЖА*

* Не все принадлежности, иллюстрированные или описанные включены в стандартную поставку.

ТЕХНИЧЕСКИЕ ХАРАКТЕРИСТИКИ

Моделей **WG259E WG259E.5 WG259E.9 WG260E WG260E.9** (230-269-обозначение инструмента, аккумуляторные Шпалерные ножницы)

	WG259E	WG259E.5	WG259E.9	WG260E	WG260E.9
Напряжение	220-240V~50/60Hz				
Мощность	20В $\overline{=}$ Макс.** литиевый				
Скорость без нагрузки	2200/мин				
Макс.длина резки	52см			61см	
Макс. диаметр круга резки	14мм			19мм	
Время зарядки	5час (прибл)	1час (прибл)	/	5час (прибл)	/
Вес	2.5кг	2.5кг	2.1кг	2.5кг	2.1кг

**Напряжение измерено без рабочей нагрузки. Первоначальное напряжение аккумулятора достигает максимум 20В. Номинальное напряжение составляет 18В.

ХАРАКТЕРИСТИКИ ШУМА

Звуковое давление	77дБ (А)
Акустическая мощность	90дБ (А)
K_{pA}	3.0дБ (А)
Максимально допустимое звуковое давление без использования средств защиты	80дБ (А)



ХАРАКТЕРИСТИКИ ВИБРАЦИИ

Суммарные значения вибрации, определенные согласно EN 60745:

Измеренная вибрация:	$a_n = 2.2 \text{ м/с}^2$
	Погрешность $K = 1.5 \text{ м/с}^2$

Заявленное общее значение вибрации может использоваться для сравнения инструментов между собой, а также для предварительной оценки воздействия.

ВНИМАНИЕ: Вибрация, производимая при работе механизированного инструмента, может отличаться от заявленных значений в зависимости от способов использования устройства.

Ниже перечислены некоторые условия, от которых зависит интенсивность вибрации:

Способ использования инструмента и свойства обрабатываемого материала.

Состояние инструмента и уровень техобслуживания

Тип используемых принадлежностей и их техническое состояние.

Сила удержания рукояток и наличие противовибрационных средств.

Используемые рабочие инструменты, соответствие применения инструментов их назначению.

При неправильном обращении данное устройство может стать причиной тремора рук.

ВНИМАНИЕ: Для точной оценки воздействия вибрации во время эксплуатации необходимо также учитывать все этапы рабочего процесса, включая время, когда устройство выключено или включено, но бездействует. Эти перерывы значительно снижают общее влияние вибрации в ходе всего рабочего цикла.

Следующие рекомендации помогут снизить опасность воздействия вибрации при работе.

ВСЕГДА пользуйтесь только острыми инструментами (резцами, сверлами, пилами и т.д.)

Проводите техобслуживание в соответствии с указаниями, тщательно смазывайте устройство в соответствующих местах

Если устройство используется регулярно, приобретите противовибрационные средства.

Избегайте применения устройства при температурах ниже 10°C

Распределите задачи так, чтобы работы, сопровождающиеся высоким уровнем вибрации, проводились через большие промежутки времени.

17

ПРИНАДЛЕЖНОСТИ

	WG259E	WG259E.5	WG259E.9	WG260E	WG260E.9
Чехол для ножа	1	1	1	1	1
Предохранительное устройство	1	1	1	1	1
Зарядное устройство	1 (WA3760)	1 (WA3860)	/	1 (WA3760)	/
Аккумулятор	1(WA3551.1)	1(WA3551.1)	/	1(WA3551)	/

Рекомендуется приобретать все принадлежности в том же магазине, где был приобретен инструмент.

Обратитесь к вспомогательной упаковке для получения более подробной информации. Помощь и консультацию можно также получить у продавца.

ЭКСПЛУАТАЦИЯ



ВНИМАНИЕ: Перед использованием инструмента, внимательно прочитайте руководство по эксплуатации.


НАЗНАЧЕНИЕ

Машина предназначена для резки и обрезки живой изгороди и кустарников для внутреннего использования.



ЭКСПЛУАТАЦИЯ! ПРЕДУПРЕЖДЕНИЕ! НЕ ИСПОЛЬЗУЙТЕ УСТРОЙСТВО БЕЗ ЗАЩИТЫ.

СБОРКА И РАБОТА

Действие	Рисунок
СБОРКА УСТРОЙСТВА	
СБОРКА ЗАЩИТЫ	См. Рис. А
РЕГУЛИРОВКА ВСПОМОГАТЕЛЬНОЙ РУЧКИ ВНИМАНИЕ: Винты ручки должны быть направлены к предохранительной защите. Если передняя ручка собрана в обратном положении, инструмент не включится.	См. Рис. В1, В2, В3
СНЯТИЕ И УСТАНОВКА АККУМУЛЯТОРНОЙ БАТАРЕИ	См. Рис. С
ЗАРЯДКА АККУМУЛЯТОРНОЙ БАТАРЕИ Первоначально Ваша аккумуляторная батарея НЕ ЗАРЯЖЕНА, и ее следует зарядить перед использованием. Более подробные сведения приводятся в руководстве по эксплуатации для WA3760 (для WG259E WG260E) или WA3860 (для WG259E.5).	
ЭКСПЛУАТАЦИЯ	
НАЧАЛО И РАБОТЫ И ЕЕ ОКОНЧАНИЕ	См. Рис. D1, D2
ВЕРХНЯЯ СРЕЗКА  ПРЕДУПРЕЖДЕНИЕ: Не используйте Ваши шпалерные ножницы в случае отсутствия, повреждения или поломки до момента исполнения замены или ремонта всех поврежденных деталей. Несоблюдение данного указания может привести к серьезным травмам. ПРЕДУПРЕЖДЕНИЕ! НЕ ИСПОЛЬЗУЙТЕ УСТРОЙСТВО БЕЗ ЗАЩИТЫ.	См. Рис. E1
БОКОВАЯ СРЕЗКА	См. Рис. E2

СМАЗКА РЕЖУЩИХ НОЖЕЙ

Во избежание повреждения лезвия важно использовать для смазки только рекомендованное стандартное масло (WD-40).

См. Рис. F

ИСПОЛЬЗОВАНИЕ ШПАЛЕРНЫХ НОЖНИЦ

Обратите внимание, что рычажок выключателя можно использовать с трех сторон, что позволяет выбрать наиболее удобное положение для захвата.

Перед началом работы осмотрите область, предназначенную для среза, удалите объекты, которые могут быть отброшены или могут помешать работе режущих ножей. Перед включением шпалерных ножниц всегда держите их двумя руками ножом от себя.

При срезке новой растительности используйте широкие пролеты, чтобы стебли попадали прямо на нож. См. рис. E1 & E2)

Перед началом срезы материала дождитесь, пока режущие ножи достигнут максимальной скорости. Всегда работайте вдали от людей и твердых предметов, таких как стены, большие камни, деревья, автомобили и т.д.

При застревании ножа немедленно остановите работу шпалерных ножниц. Отсоедините кабель питания шпалерных ножниц от розетки и удалите застрявшие обрезки из ножей.

При срезке колючей или имеющей шипы растительности надевайте перчатки. Перемещайте шпалерные ножницы таким образом, чтобы ветки попадали прямо на лезвия режущих ножей.

Не пытайтесь срезать стебли, длина которых слишком велика.

ВЕРХНЯЯ СРЕЗКА

При срезке используйте широкие пролеты (См. рис. E1). Наилучшие результаты достигаются при небольшом наклоне режущих ножей.

БОКОВАЯ СРЕЗКА

При обрезке боков живой изгороди начинайте снизу и двигайтесь вверх, (См. рис. E2) огибая ножом верхнюю внутреннюю кромку изгороди. Использование такого способа позволяет обрабатывать большую часть изгороди, чем достигается более равномерный рост.

ТЕХНИЧЕСКОЕ ОБСЛУЖИВАНИЕ

Перед выполнением наладочных работ, обслуживания и ремонта выньте батарею.

В инструменте отсутствуют детали, подлежащие обслуживанию пользователем. Никогда не

используйте воду или химические чистящие средства для чистки электроинструмента. Протирайте его сухой тканью. Всегда храните электроинструмент в сухом месте. Содержите в чистоте вентиляционные отверстия двигателя. Очищайте от пыли все рабочие органы управления.

ЗАЩИТА ОКРУЖАЮЩЕЙ СРЕДЫ



Отходы электротехнической продукции не следует утилизировать с бытовыми отходами. Они должны быть доставлены в местный центр утилизации для надлежащей переработки.

ДЕКЛАРАЦИЯ СООТВЕТСТВИЯ

Мы,
Positec Germany GmbH
Grüner Weg 10, 50825 Cologne, Germany

Заявляем, что продукция,
Марки **WORX Шпалерные ножницы**
Моделей **WG259E/WG259E.5/WG259E.9/
WG260E/WG260E.9 (230-269-обозначение
инструмента, беспроводные Шпалерные
ножницы)**
Функции **Ограничивающие насадки и щетки.**

Соответствует положениям Директив,
2006/42/EC
2014/30/EU
2011/65/EU
2000/14/EC дополнением 2005/88/EC

2000/14/EC с дополнением 2005/88/EC
- Процедура оценки соответствия **ПриложениюV**
- Измеренный уровень мощности шума **87.1 дБ (A)**
- Заявленный максимальный уровень мощности шума **90 дБ (A)**

И стандарта,
EN 60745-1
EN 60745-2-15
EN ISO 3744
EN 55014-1
EN 55014-2

19

Лицо с правом компилирования данного технического файла,

Имя Marcel Filz
Адрес Positec Germany GmbH
Grüner Weg 10, 50825 Cologne, Germany



2018/01/10
Allen Ding
Заместитель главного инженера, Тестирование и
сертификация
Positec Technology (China) Co., Ltd
18, Dongwang Road, Suzhou Industrial
Park, Jiangsu 215123, P. R. China

СТРАНА**ТЕЛЕФОН ТЕХПОДДЕРЖКИ****АВТОРИЗОВАННЫЙ СЕРВИСНЫЙ ЦЕНТР**

Россия

+ 7(495) 221-4625 доб.106, 107,108

Ленинградское ш., вл.29г, г.Химки, Московская обл., 141408, Россия

**EAC**

Производитель:	Место производства
Позитек Германия ГМБХ, Грюнер Вег 10, 50825 Кёльн, Германия	
Позитек Технолоджи КНР Ко.Лтд Номер 18 Донванг Роуд, Сучжоу Индастриал Парк, Сучжоу, Джиангсу, КНР	√

Импортер: ООО «Дистрибьюторский Центр Юнисоо», Ленинградское ш., вл. 29Г, г.Химки, Московская обл., 141408, Россия

Срок службы 6 лет.

WORX
it's your nature

www.worx.com

Copyright © 2018, Positec. All Rights Reserved.
AR01343901