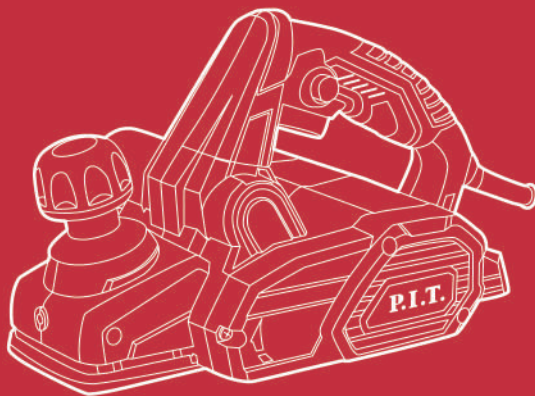


# P.I.T.

## PEP82-C



### ELECTRIC PLANER

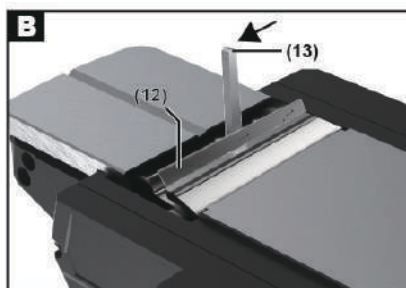
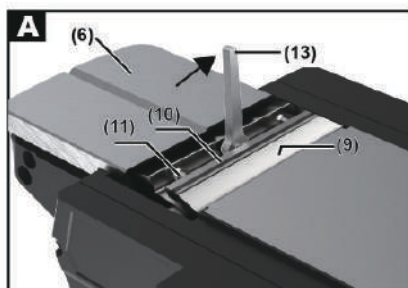
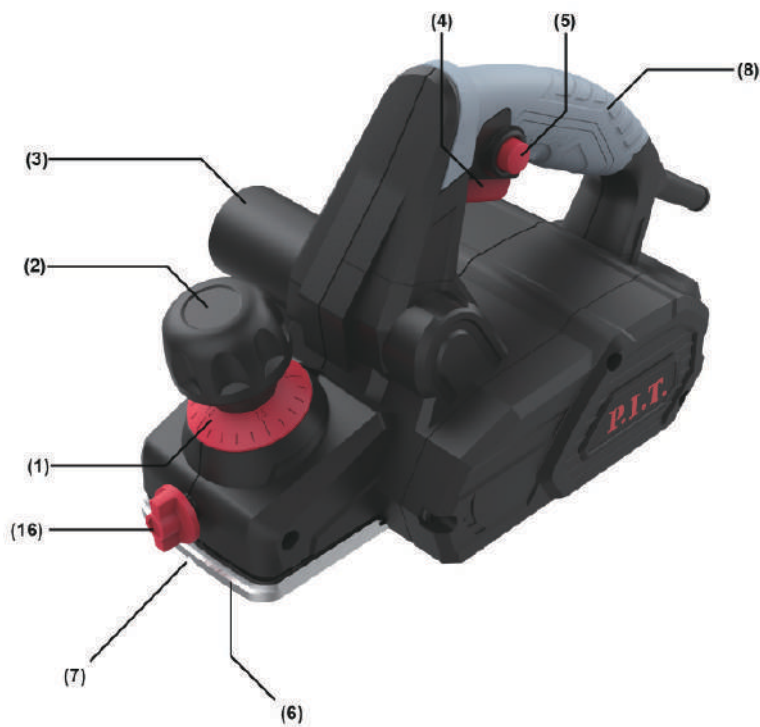
РУБАНОК ЭЛЕКТРИЧЕСКИЙ

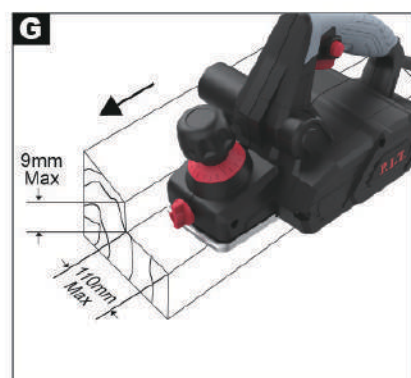
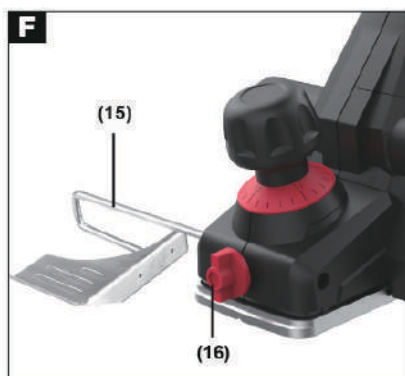
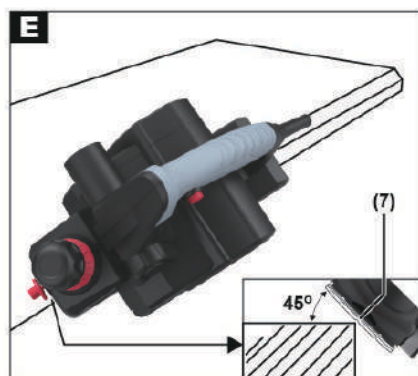
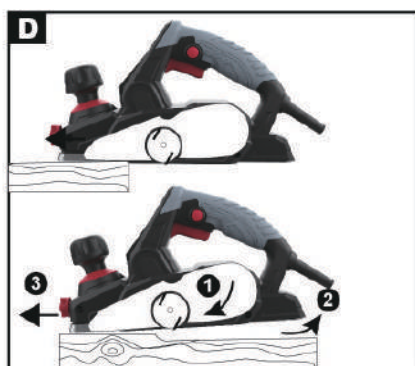
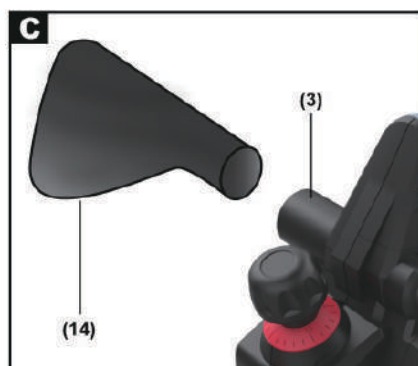
**650W**

**Powerful  
Efficient**

Please read the instruction manual carefully before use!







## English

### Safety Notes

#### General Power Tool Safety Warnings

**⚠ WARNING** Read all safety warnings and all instructions. Failure to follow the warnings and instructions may result in electric shock, fire and/or serious injury.

**Save all warnings and instructions for future reference.** The term "power tool" in the warnings refers to your mainsoperated (corded) power tool or battery-operated (cordless) power tool.

#### Work area safety

- ▶ **Keep work area clean and well lit.** Cluttered or dark areas invite accidents.
- ▶ **Do not operate power tools in explosive atmospheres, such as in the presence of flammable liquids, gases or dust.** Power tools create sparks which may ignite the dust or fumes.
- ▶ **Keep children and bystanders away while operating a power tool.** Distractions can cause you to lose control.

#### Electrical safety

- ▶ **Power tool plugs must match the outlet. Never modify the plug in any way. Do not use any adapter plugs with earthed (grounded) power tools.** Unmodified plugs and matching outlets will reduce risk of electric shock.
- ▶ **Avoid body contact with earthed or grounded surfaces, such as pipes, radiators, ranges and refrigerators.** There is an increased risk of electric shock if your body is earthed or grounded.
- ▶ **Do not expose power tools to rain or wet conditions.** Water entering a power tool will increase the risk of electric shock.
- ▶ **Do not abuse the cord. Never use the cord for carrying, pulling or unplugging the power tool. Keep cord away from heat, oil, sharp edges or moving parts.** Damaged or entangled cords increase the risk of electric shock.
- ▶ **When operating a power tool outdoors, use an extension cord suitable for outdoor use.** Use of a cord suitable for outdoor use reduces the risk of electric shock.
- ▶ **If operating a power tool in a damp location is unavoidable, use a residual current device (RCD) protected supply.** Use of an RCD reduces the risk of electric shock.

### Personal safety

- ▶ **Stay alert, watch what you are doing and use common sense when operating a power tool. Do not use a power tool while you are tired or under the influence of drugs, alcohol or medication.** A moment of inattention while operating power tools may result in serious personal injury.
- ▶ **Use personal protective equipment. Always wear eye protection.** Protective equipment such as dust mask, non-skid safety shoes, hard hat, or hearing protection used for appropriate conditions will reduce personal injuries.
- ▶ **Prevent unintentional starting. Ensure the switch is in the off-position before connecting to power source and/or battery pack, picking up or carrying the tool.** Carrying power tools with your finger on the switch or energizing power tools that have the switch on invites accidents.
- ▶ **Remove any adjusting key or wrench before turning the power tool on.** A wrench or a key left attached to a rotating part of the power tool may result in personal injury.
- ▶ **Do not overreach. Keep proper footing and balance at all times.** This enables better control of the power tool in unexpected situations.
- ▶ **Dress properly. Do not wear loose clothing or jewellery.** Keep your hair, clothing and gloves away from moving parts. Loose clothes, jewellery or long hair can be caught in moving parts.
- ▶ **If devices are provided for the connection of dust extraction and collection facilities, ensure these are connected and properly used.** Use of dust collection can reduce dust related hazards.
- ▶ **Do not let familiarity gained from frequent use of tools allow you to become complacent and ignore tool safety principles.** A careless action can cause severe injury within a fraction of a second.

### Power tool use and care

- ▶ **Do not force the power tool. Use the correct power tool for your application.** The correct power tool will do the job better and safer at the rate for which it was designed.
- ▶ **Do not use the power tool if the switch does not turn it on and off.** Any power tool that cannot be controlled with the

switch is dangerous and must be repaired.

- ▶ **Disconnect the plug from the power source and/or the battery pack from the power tool before making any adjustments, changing accessories, or storing power tools.** Such preventive safety measures reduce the risk of starting the power tool accidentally.
- ▶ **Store idle power tools out of the reach of children and do not allow persons unfamiliar with the power tool or these instructions to operate the power tool.** Power tools are dangerous in the hands of untrained users.
- ▶ **Maintain power tools. Check for misalignment or binding of moving parts, breakage of parts and any other condition that may affect the power tool's operation.** If damaged, have the power tool repaired before use. Many accidents are caused by poorly maintained power tools.
- ▶ **Keep cutting tools sharp and clean.** Properly maintained cutting tools with sharp cutting edges are less likely to bind and are easier to control.
- ▶ **Use the power tool, accessories and tool bits etc. in accordance with these instructions, taking into account the working conditions and the work to be performed.** Use of the power tool for operations different from those intended could result in a hazardous situation.
- ▶ **Keep handles and grasping surfaces dry, clean and free from oil and grease.** Slippery handles and grasping surfaces do not allow for safe handling and control of the tool in unexpected situations.

## Service

- ▶ **Have your power tool serviced by a qualified repair person using only identical replacement parts.** This will ensure that the safety of the power tool is maintained.

## Safety information for planers

- ▶ **Wait for the cutter to stop before setting the tool down.** An exposed rotating cutter may engage the surface leading to possible loss of control and serious injury.
- ▶ **Hold the power tool by insulated gripping surfaces, because the cutter may contact its own cord.** Cutting a "live" wire may make exposed metal parts of the power tool "live" and could give the operator an electric shock.
- ▶ **Use clamps or another practical way to**

**secure and support the workpiece to a stable platform.** Holding the workpiece by your hand or against the body leaves it unstable and may lead to loss of control.

- ▶ **Only bring the power tool into contact with the workpiece when switched on.** Otherwise there is danger of kickback if the cutting tool jams in the workpiece.
- ▶ **Do not allow the chip ejector to come into contact with your hands.** You may be injured by rotating parts.
- ▶ **Never plane over metal objects, nails or screws.** Cutters and cutter shafts could become damaged and cause increased vibration.
- ▶ **Use suitable detectors to determine if utility lines are hidden in the work area or call the local utility company for assistance.** Contact with electric lines can lead to fire and electric shock. Damaging a gas line can lead to explosion. Penetrating a water line causes property damage or may cause an electric shock.
- ▶ **While working, always hold the planer in such a way that the planer base plate lies flat against the workpiece.** Otherwise the planer could slip and cause injury.

## Product Description and Specifications



**Read all safety warnings and all instructions.** Failure to follow the warnings and instructions may result in electric shock, fire and/or serious injury.

## Intended Use

The power tool is intended for planing wood-based materials such as beams and boards while resting firmly on the workpiece. It is also suitable for chamfering edges and for rebating.

## Product Features

The numbering of the product features refers to the illustration of the machine on the graphics page.

- (1) Cutting depth scale
- (2) Knob for setting the cutting depth (insulated gripping surface)
- (3) Chip ejector
- (4) Lock-off button for on/off switch
- (5) On/off switch
- (6) Planer base plate
- (7) V-groove
- (8) Handle (insulated gripping surface)
- (9) Blade head

- (10) Clamping element for planer blade
- (11) Fastening screw for planer blade
- (12) Planer blade
- (13) Open-end wrench
- (14) Chip/dust bag
- (15) Parallel guide
- (16) Fastening screw for parallel/angle guide

### Technical parameter

Model	PEP82-C
Rated voltage	220 V~/50 Hz
Rated output power	650 W
Rated speed	16800 r/min
Planing width	82 mm
Max. Planing depth	2 mm
Weight	2.8 kg

### Contents of delivery

Electric Planer	1 pc
Wrench	1 pc
Parallel guide	1 pc
Rail lock knob	1 pc
Hex key	1 pc
Chip/dust bag	1 pc
Instruction manual	1 pc

### Note

Since the product is constantly being improved, P.I.T. reserves the right to make changes to the specifications and product specifications specified here without prior notice.

The text and numbers of the instructions may contain technical errors and typographical errors.

### Fitting

- ▶ **Pull the plug out of the socket before carrying out any work on the power tool.**

### Changing the Tool

- ▶ **Take care when changing the planer blade. Do not pick up the planer blade by the cutting edges.** You may be injured by the sharp cutting edges.

Use only original P.I.T HM/TC planer blades. The hard metal (HM/TC) planer blade has two cutting edges and can be turned. If both cutting edges become blunt, the planer blade needs to be changed. The HM/TC planer blade must not be resharpened.

### Removing the planer blade (see figure A)

To turn or replace the planer blade, turn the blade head until it is parallel to the planer base plate.

- ▶ Loosen the two fastening screws using the hex key (approx. 1–2 turns).
- ▶ If necessary, loosen the clamping element by
- ▶ lightly striking it with an appropriate implement, e.g. a wooden wedge.

### Fitting the planer blade (see figure B)

The guide groove on the planer blade ensures a constant, even height setting when changing or turning the blade.

If necessary, clean the knife seat in the clamping element and the planer blade.

When fitting the planer blade, ensure that it is correctly seated in the mounting guide of the clamping element.

The planer blade must be fitted and aligned with the centre **of the planer base plate**. Then tighten the two fastening screws with the hex key.

**Note:** Check that the fastening screws are firmly tightened before starting operation. Turn the blade head by hand and ensure that the planer blade is not brushing against anything.

### Dust/Chip Extraction

The dust from materials such as lead paint, some types of wood, minerals and metal can be harmful to human health.

Touching or breathing in this dust can trigger allergic reactions and/or cause respiratory illnesses in the user or in people in the near vicinity.

Certain dusts, such as oak or beech dust, are classified as carcinogenic, especially in conjunction with wood treatment additives (chromate, wood preservative). Materials containing asbestos may only be machined by specialists.

- Use a dust extraction system that is suitable for the material wherever possible.
- Provide good ventilation at the workplace.
- It is advisable to wear a P2 filter class breathing mask.

The regulations on the material being machined that apply in the country of use must be observed.

- ▶ **Avoid dust accumulation at the workplace.** Dust can easily ignite.

Clean the chip ejector regularly. Clean a clogged chip ejector using a suitable tool, e.g. a piece of wood, compressed air, etc.

- ▶ **Do not allow the chip ejector to come into contact with your hands.** You may be injured by rotating parts.

Always use an external dust extraction device

or chip/dust bag to guarantee optimum suction.

### **Self-generated dust extraction (see figure C)**

A dust/chip bag (accessory) can be used for smaller jobs. Insert the dust bag nozzle of the chip/dust bag firmly into the chip ejector. Empty the chip/dust bag at regular intervals to maintain optimum dust collection.

## **Operation**

### **Operating modes**

#### **Setting the cutting depth**

Using the knob, the cutting depth can be continuously adjusted between 0–2 mm the aid of the cutting depth scale.

### **Start-up**

- ▶ **Pay attention to the mains voltage. The voltage of the power source must match the voltage specified on the rating plate of the power tool. Power tools marked with 230 V can also be operated with 220 V.**

### **Switching on/off**

- ▶ **Make sure that you are able to press the On/Off switch without releasing the handle.**

To **start** the power tool, first press the lock-off button, then press and hold the on/off switch.

To **switch off** the power tool, release the on/off switch.

Note: For safety reasons, the on/off switch cannot be locked; it must remain pressed during the entire operation.

### **Practical advice**

- ▶ **Pull the plug out of the socket before carrying out any work on the power tool.**

### **Planing Procedure (see figure D)**

Set the required cutting depth and position the power tool with the front section of the planer base plate on the workpiece.

- ▶ **Only bring the power tool into contact with the workpiece when switched on.** Otherwise there is danger of kickback if the cutting tool jams in the workpiece.

Switch on the power tool and guide it over the surface of the workpiece, applying uniform feed.

To achieve high-quality surfaces, apply only a low feed rate and exert pressure on the middle of the planer base plate.

For the processing of hard materials, such as hardwood, and also when utilising the maximum planing width, set only a low cutting

depth and reduce the planer feed as appropriate.

Excessive feed reduces the quality of the surface finish and can lead to the chip ejector quickly becoming blocked.

Only sharp planer blades achieve good cutting performance and make the power tool last longer.

- Switch the power tool on.
- Shift the contact pressure onto the front of the planer base plate and slowly slide the power tool forward (1). In doing so, the parking rest will swivel upwards and out of the way (2), meaning that the rear section of the planer base plate is in contact with the workpiece again.
- Guide the power tool over the surface of the workpiece, applying uniform feed (3).

### **Chamfering edges (see figure E)**

The V-groove in the front of the planer base plate enables quick and easy chamfering of workpiece edges. Position the planer with the V-groove onto the edge of the workpiece and guide it along.

### **Planing with the parallel/angle guide (see figures F–G)**

Mount the parallel guide or on the power tool (either at the front or back) with the fastening screw.

## **Maintenance and Service**

### **Maintenance and Cleaning**

- ▶ **Before any work on the machine itself, pull the mains plug.**
- ▶ **For safe and proper working, always keep the machine and ventilation slots clean.**
- ▶ **A damaged dust protection cap should be changed immediately. We recommend having this carried out by an after-sales service.**

When the battery is no longer operative, please refer to an authorised after-sales service agent for P.I.T. power tools.

### **Service**

- ▶ Have your power tool repaired only by qualified personnel and only with original replacement parts. This ensures the safety of the power tool.

The list of authorized service centers can be viewed on the official website of P.I.T. by the link: <https://pittools.ru/services/>

### **Storage and transportation**

The welding machine should be stored in closed rooms with natural ventilation at

temperatures from 0 to +40 ° C and relative humidity up to 80%. The presence of acid vapors, alkalis and other aggressive impurities in the air is not allowed.

Products can be transported by any type of closed transport in the manufacturer's packaging or without it, while preserving the product from mechanical damage, atmospheric precipitation.

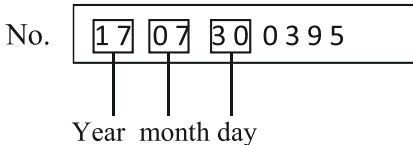
**Dispose of waste**



Damaged power tools, batteries, accessories and waste packaging materials must be recycled and reused in an environmentally friendly manner.

Do not throw power tools and accumulators / batteries into general household waste!

**Product serial number interpretation**



The first and second digits of the product serial number from left to right

Year of production, the third and fourth digits indicate the month of production, the fifth and sixth digits indicate the production day.

**TERMS OF WARRANTY SERVICE**

1. This Warranty Certificate is the only document that confirms your right to free warranty service. Without presenting this certificate, no claims are accepted. In case of loss or damage, the warranty certificate is not restored.

2. The warranty period for the electric machine is 12 months from the date of sale, during the warranty period the service department eliminates manufacturing defects and replaces parts that have failed due to the fault of the manufacturer free of charge. In the warranty repair, an equivalent operable product is not provided. Replaceable parts become property of service providers.

P.I.T is not liable for any damage that may be caused by operation of the electric machine.

3. Only clean tool accompanied with the following duly executed documents: this Warranty Certificate, Warranty Card, with all fields filled out, bearing the stamp of the trade organization and the signature of the buyer, shall be accepted for warranty repair.

4. Warranty repair is not performed in the following cases:

- in the absence of a Warranty Certificate and

a Warranty Card or their incorrect execution;

- with failure of both a rotor and a stator of the electric engine, charring or melting of primary winding of the welding machine transformer, charging or starting-charging device, with internal parts melting, burn down of electronic circuit boards;

- if a Warranty Certificate or a Warranty Card does not correspond to this electric machine or to the form established by the supplier;

- upon expiration of the warranty period;

- at attempts of opening or repair of the electric machine outside the warranty workshop; making constructive changes and lubrication of the tool during the warranty period, as evidenced, for example, by the creases on the spline parts of the fasteners of non-rotational parts.

- when using electric tools for production or other purposes connected with making a profit, as well as in case of malfunctions related to instability of the power network parameters exceeding the norms established by GOST;

- in the events of improper operation (use the electric machine for other than intended purposes, attachments to the electric machine of attachments, accessories, etc. not provided by the manufacturer);

- with mechanical damage to the case, power cord and in case of damages caused by aggressive agents and high and low temperatures, ingress of foreign objects in the ventilation grids of the electric machine, as well as in case of damage resulting from improper storage (corrosion of metal parts);

- natural wear and tear on the parts of the electric machine, as a result of long-term operation (determined on the basis of the signs of full or partial depletion of the specified mean life, great contamination, presence of rust outside and inside the electric machine, waste lubricant in the gearbox);

- use of the tool the purposes for other than specified in the operating instructions.

- mechanical damages to the tool;

- in the event of damages due to non-observance of the operating conditions specified in the instruction (see chapter "Safety Precautions" of the Manual).

- damage to the product due to non-observance of the rules of storage and transportation.

- if the instrument is heavily contaminated internally.

Preventive maintenance of electric machines (cleaning, washing, lubrication, replacement



of anthers, piston and sealing rings) during the warranty period is a paid service.

The service life of the product is 3 years. Shelf life is 2 years. It is not recommended for operation after 2 years of storage from the date of manufacture, which is indicated in the serial number on the label of the instrument, without preliminary verification (for the definition of the date of manufacture, see the User's Manual earlier).

The owner is notified of any possible violations of the above terms of warranty service upon completion of diagnostics in the service center.

The owner of the tool entrusts the diagnostic procedure to be conducted in the service center in his absence.

Do not operate the electric machine when there are signs of excessive heat, sparking, or noise in the gearbox. To determine the cause of the malfunction, the buyer should contact the warranty service center.

Malfunctions caused by late replacement of carbon brushes of the engine are eliminated at the expense of the buyer.

5. The warranty does not cover:

- replacement accessories (accessories and components), for example: batteries, discs, blades, drill bits, borers, chucks, chains, sprockets, collet clamps, guide rails, tension and fastening elements, trimming device heads, base of grinding and belt sander machines, hexagonal heads, etc.,
- fast wearing parts, for example: carbon brushes, drive belts, seals, protective covers, guiding rollers, guides, rubber seals, bearings, toothed belts and wheels, shanks, brake belts, starter ratchets and ropes, piston rings, etc. Their replacement during the warranty period is a paid service;
- power cords, in case of damage to the insulation, power cords are subject to mandatory replacement without the consent of the owner (paid service);
- tool case.

## Русский

Указания по технике безопасности  
Общие указания по технике безопасно-  
сти для электроинструментов



### ПРЕДУПРЕЖДЕНИЕ

Прочтите все указания и инструк-  
ции по технике безопасности.

Несоблюдение указаний и инструкций по  
технике безопасности может стать причи-  
ной поражения электрическим током, пожа-  
ра и тяжелых травм.

**Сохраняйте эти инструкции и указания  
для будущего использования.**

Использованное в настоящих инструкциях  
и указаниях понятие «электроинструмент»  
распространяется на электроинструмент с  
питанием от сети (с сетевым шнуром) и на  
аккумуляторный электроинструмент (без  
 сетевого шнура).

### Безопасность рабочего места

- ▶ **Содержите рабочее место в чистоте и  
хорошо освещенным.** Беспорядок или  
неосвещенные участки рабочего места  
могут привести к несчастным случаям.
- ▶ **Не работайте с этим электроинстру-  
ментом во взрывоопасном помеще-  
нии, в котором находятся горючие  
жидкости, воспламеняющиеся газы  
или пыль.** Электроинструменты искрят,  
что может привести к воспламенению  
пыли или паров.
- ▶ **Во время работы с электроинстру-  
ментом не допускайте близко к Ва-  
шему рабочему месту детей и посто-  
ронних лиц.** Отвлекшись, Вы можете  
потерять контроль над электроинстру-  
ментом.

### Электробезопасность

- ▶ **Штепсельная вилка электроинстру-  
мента должна подходить к штепсель-  
ной розетке. Ни в коем случае не  
изменяйте штепсельную вилку. Не  
применяйте переходные штекеры  
для электроинструментов с защит-  
ным заземлением.** Неизменные  
штепсельные вилки и подходящие  
штепсельные розетки снижают риск по-  
ражения электротоком.
- ▶ **Предотвращайте телесный контакт  
с заземленными поверхностями, как  
то: с трубами, элементами отопления,  
кухонными плитами и холодильника-  
ми.** При заземлении Вашего тела повы-  
шается риск поражения электротоком.
- ▶ **Защищайте электроинструмент от до-**

**жда и сырости.** Проникновение воды  
в электроинструмент повышает риск  
поражения электротоком.

- ▶ **Не разрешается использовать шнур  
не по назначению, например, для  
транспортировки или подвески элек-  
троинструмента, или для вытягива-  
ния вилки из штепсельной розетки.  
Защищайте шнур от воздействия  
высоких температур, масла, острых  
кромок или подвижных частей элек-  
троинструмента.** Поврежденный или  
спутанный шнур повышает риск пораже-  
ния электротоком.
- ▶ **При работе с электроинструментом  
под открытым небом применяйте  
пригодные для этого кабели удлин-  
нители.** Применение пригодного для  
работы под открытым небом кабеля  
удлинителя снижает риск поражения  
электротоком.
- ▶ **Если невозможно избежать приме-  
нения электроинструмента в сыром  
помещении, подключайте электроин-  
струмент через устройство защитного  
отключения.** Применение устройст-  
ва защитного отключения снижает риск  
поражения электрическим током.

### Безопасность людей

- ▶ **Будьте внимательными, следите за  
тем, что Вы делаете, и продуманно  
начинайте работу с электроинстру-  
ментом. Не пользуйтесь электроин-  
струментом в усталом состоянии  
или если Вы находитесь в состоянии  
наркотического алкогольного опьяне-  
ния или под воздействием лекарств.**  
Один момент невнимательности при  
работе с электроинструментом может  
привести к серьезным травмам.
- ▶ **Применяйте средства индивидуаль-  
ной защиты и всегда защитные очки.**  
Использование средств индивидуальной  
защиты, как то: защитной маски, обуви  
на нескользящей подошве, защитного  
шлема или средств защиты органов  
слуха, – в зависимости от вида работы  
с электроинструментом снижает риск  
получения травм.
- ▶ **Предотвращайте непреднамеренное  
включение электроинструмента.  
Перед подключением электроин-  
струмента к электропитанию и/или к  
аккумулятору убедитесь в выключен-  
ном состоянии электроинструмента.  
Удержание пальца на выключателе при-**

транспортировке и подключение к сети питания включенного электроинструмента чревато несчастными случаями.

- ▶ **Убирайте установочный инструмент или гаечные ключи до включения электроинструмента.** Инструмент или ключ, находящийся во вращающейся части электроинструмента, может привести к травмам.
- ▶ **Не принимайте неестественное положение корпуса тела. Всегда занимайте устойчивое положение и сохраняйте равновесие.** Благодаря этому Вы можете лучше контролировать электроинструмент в неожиданных ситуациях.
- ▶ **Носите подходящую рабочую одежду. Не носите широкую одежду и украшения. Держите волосы, одежду и рукавицы вдали от движущихся частей.** Широкая одежда, украшения или длинные волосы могут быть затянуты вращающимися частями.
- ▶ **При наличии возможности установки пылеотсасывающих и пылесборных устройств проверяйте их присоединение и правильное использование.** Применение пылесоса может снизить опасность, создаваемую пылью.
- ▶ **Хорошее знание электроинструментов, полученное в результате частого их использования, не должно приводить к самоуверенности и игнорированию техники безопасности обращения с электроинструментами.** Одно небрежное действие за долю секунды может привести к серьезным травмам.
- ▶ **ВНИМАНИЕ!** В случае возникновения перебоя в работе электроинструмента вследствие полного или частичного прекращения энергоснабжения или повреждения цепи управления энергоснабжением установите выключатель в положение Выкл., убедившись, что он не заблокирован (при его наличии). Отключите сетевую вилку от розетки или отсоедините съёмный аккумулятор. Этим предотвращается неконтролируемый повторный запуск.

### Применение электроинструмента и обращение с ним

- ▶ **Не перегружайте электроинструмент. Используйте для Вашей работы предназначенный для этого электроинструмент.** С подходящим электроинструментом Вы работаете лучше и

надежнее в указанном диапазоне мощности.

- ▶ **Не работайте с электроинструментом при неисправном выключателе.** Электроинструмент, который не поддается включению или выключению, опасен и должен быть отремонтирован.
- ▶ **Храните электроинструменты в недоступном для детей месте. Не разрешайте пользоваться электроинструментом лицам, которые не знакомы с ним или не читали настоящих инструкций.** Электроинструменты опасны в руках неопытных лиц.
- ▶ **Тщательно ухаживайте за электроинструментом. Проверяйте ход движущихся частей электроинструмента, отсутствие поломок или повреждений, отрицательно влияющих на функцию электроинструмента. Поврежденные части должны быть отремонтированы до использования электроинструмента.** Плохое обслуживание электроинструментов является причиной большого числа несчастных случаев.
- ▶ **Держите режущий инструмент в заточенном и чистом состоянии.** Заботливо ухоженные режущие инструменты с острыми режущими кромками режут заклиниваются и их легче вести.
- ▶ **Применяйте электроинструмент, принадлежности, рабочие инструменты и т. п. в соответствии с настоящими инструкциями. Учитывайте при этом рабочие условия и выполняемую работу.** Использование электроинструментов для непредусмотренных работ может привести к опасным ситуациям.
- ▶ **Держите ручки и поверхности захвата сухими и чистыми, следите чтобы на них не было жидкой или консистентной смазки.** Скользкие ручки и поверхности захвата препятствуют безопасному обращению с инструментом и не дают надежно контролировать его в непредвиденных ситуациях.

### Сервис

- ▶ **Ремонт электроинструмента должен выполняться только квалифицированным персоналом и только с применением оригинальных запасных частей.** Этим обеспечивается безопасность электроинструмента.

## Указания по технике безопасности для рубанков

- ▶ Прежде чем отложить электроинструмент, подождите, пока ножевой вал не остановится. Открытый вращающийся ножевой вал может застрять в поверхности и привести к потере контроля и серьезным травмам.
- ▶ Держите инструмент за изолированные предусмотренные для этого поверхности, поскольку режущий инструмент может задеть собственный шнур. Перерезание находящегося под напряжением шнура может зарядить металлические части электроинструмента и привести к удару электрическим током.
- ▶ Закрепите обрабатываемую заготовку на стабильном основании с помощью зажимов или иным удобным способом. Удерживание обрабатываемой заготовки в руке или прижим ее к себе не обеспечивает ее стабильное удержание, и она может выйти из-под контроля.
- ▶ Подводите электроинструмент к детали только во включенном состоянии. В противном случае возникает опасность обратного удара при заклинивании рабочего инструмента в детали.
- ▶ Не вставляйте руки в патрубок для выброса опилок. Вы можете пораниться вращающимися деталями.
- ▶ Никогда не стругайте по металлическим предметам, гвоздям или винтам. Ножи и ножевой вал могут быть повреждены и привести к повышенной вибрации.
- ▶ Используйте соответствующие металлодетекторы для нахождения спрятанных в стене труб или проводки или обращайтесь за справкой в местное коммунальное предприятие. Контакт с электропроводкой может привести к пожару и поражению электротоком. Повреждение газопровода может привести к взрыву. Повреждение водопровода ведет к нанесению материального ущерба или может вызвать поражение электротоком.
- ▶ Во время работы держите рубанок всегда так, чтобы подошва рубанка плоского прилегала к обрабатываемой заготовке. Иначе рубанок может перекосяться и привести к травмам.

- ▶ Крепко держите электроинструмент во время работы двумя руками и следите за устойчивым положением тела. Двумя руками Вы можете более надежно вести электроинструмент.

## Описание продукта и услуг



Прочтите все указания и инструкции по технике безопасности.

Несоблюдение указаний по технике безопасности и инструкций может привести к поражению электрическим током, пожару и/или тяжелым травмам.

Пожалуйста, соблюдайте иллюстрации в начале руководства по эксплуатации.

## Применение по назначению

Данный электроинструмент предназначен для строгания древесных материалов, например, балок и досок, лежащих на прочной опоре. Он также пригоден для скашивания кромок и для выборки четверти.

## Изображенные составные части

Нумерация представленных компонентов выполнена по изображению на странице с иллюстрациями.

- (1) Шкала глубины строгания
- (2) Ручка установки глубины строгания
- (3) Стружкоудалитель
- (4) Кнопка включения
- (5) Блокировка кнопки включения
- (6) Опорная плита
- (7) V-образный паз
- (8) Прорезиненная рукоять
- (9) Нож строгальный
- (10) Зажимной элемент для ножа строгального
- (11) Винт крепёжный
- (12) Строгальный нож
- (13) Гаечный ключ для регулировки
- (14) Пылесборник
- (15) Параллельный упор
- (16) Винт для фиксации параллельного упора

## Технические данные

Модель	PER82-C
Номинальные напряжение/частота	220 В / 50 Гц
Номинальная мощность	650 Вт
Частота вращения	16800 об/мин
Ширина строгания	82 мм
Максимальная глубина строгания	2 мм
Вес	2,8 кг

**Комплект поставки**

Рубанок электрический	1 шт
Гаечный ключ	1 шт
Параллельный упор	1 шт
Ручка фиксатора направляющей	1 шт
Ключ шестигранный	1 шт
Мешок для стружки / пыли	1 шт
Инструкция пользователя	1 шт

**Примечание**

Так как изделие постоянно совершенствуется, P.I.T. оставляет за собой право на внесение изменений в указанные здесь технические характеристики и комплектацию изделия без предварительного уведомления.

В тексте и цифровых обозначениях инструкции могут быть допущены технические ошибки и опечатки.

**Сборка**

- ▶ **Перед любыми манипуляциями с электроинструментом вытаскивайте штепсель из розетки.**

**Замена рабочего инструмента**

- ▶ **Соблюдайте осторожность при замене строгального ножа. Не беритесь за режущие кромки строгального ножа.** Вы можете порезаться об острые режущие кромки.

Применяйте оригинальные ножи НМ/ТС фирмы P.I.T.

Строгальный нож из твердого сплава (НМ/ТС) имеет две режущие кромки и может быть перевернут. Если обе режущие кромки затупились, строгальный нож следует заменить. Твердосплавный нож НМ/ТС не предусматривает возможности перезаточки.

**Демонтаж строгального ножа (см. рис. А)**

Чтобы развернуть или заменить строгальный нож, поворачивайте ножевую головку, пока она не будет расположена параллельно к подошве рубанка.

- ▶ Ослабьте 2 крепежных винта с помощью ключа шестигранника припл. на 1 – 2 оборота.
- ▶ При необходимости отпустите элемент зажима легким ударом при помощи подходящего инструмента, напр., деревянного клина.

**Монтаж строгального ножа (см. рис. В)**

Направляющий паз строгального ножа обеспечивает при смене или поворачивании

всегда равномерную установку высоты.

При необходимости очистите посадочное место под строгальный нож в элементе зажима и строгальный нож.

При установке строгального ножа следите за тем, чтобы он безупречно сидел в направляющей элемента зажима ножа. Строгальный нож нужно монтировать и выровнять по центру подошвы рубанка. Затяните 2 крепежных винта с помощью ключа-шестигранника.

**Указание:** Перед началом работы проверьте жесткость посадки крепежных винтов. От руки покрутите ножевую головку и убедитесь, что строгальный нож нигде ничего не задевает.

**Удаление пыли и стружки**

Пыль некоторых материалов, как напр., красок с содержанием свинца, некоторых сортов древесины, минералов и металлов, может быть вредной для здоровья.

Прикосновение к пыли и попадание пыли в дыхательные пути может вызвать аллергические реакции и/или заболевания дыхательных путей оператора или находящегося вблизи персонала.

Определенные виды пыли, напр., дуба и бука, считаются канцерогенными, особенно совместно с присадками для обработки древесины (хромат, средство для защиты древесины). Материал с содержанием асбеста разрешается обрабатывать только специалистам.

- По возможности используйте пригодную для материала систему пылеудаления.
- Хорошо проветривайте рабочее место.
- Рекомендуется пользоваться респираторной маской с фильтром класса P2.

Соблюдайте действующие в Вашей стране предписания для обрабатываемых материалов.

- ▶ **Избегайте скопления пыли на рабочем месте.** Пыль может легко воспламениться.

Регулярно очищайте патрубок для выброса стружки. Для очистки забившегося патрубка для выброса стружки пользуйтесь подходящим средством, напр., куском древесины, сжатым воздухом и пр.

- ▶ **Не вставляйте руки в патрубок для выброса опилок.** Вы можете пораниться вращающимися деталями.

Для обеспечения оптимального удаления стружки всегда используйте внешнее устройство пылеудаления или мешок для пыли/стружки.

## Собственная система пылеудаления (см. рис. С)

При мелких работах можно использовать мешок для пыли/стружки. Плотно наденьте штуцер мешка для пыли на патрубок для выброса опилок. Вовремя опорожняйте мешок для пыли/стружки, чтобы поддерживать оптимальные условия для удаления пыли/стружки.

## Работа с инструментом

### Режимы работы

#### Установка глубины строгания

С помощью ручки можно плавно регулировать глубину резания в пределах 0–2 мм с помощью шкалы глубины резания.

#### Включение электроинструмента

Примите во внимание напряжение в сети! Напряжение источника питания должно соответствовать данным на заводской табличке электроинструмента. Электроинструменты на 230 В могут работать также и при напряжении 220 В.

#### Включение/выключение

► **Убедитесь, что Вы можете приводить в действие выключатель, не отпуская рукоятки.**

Чтобы **включить** электроинструмент, сначала нажмите блокиратор выключателя, а затем нажмите на выключатель и удерживайте его нажатым.

Чтобы **выключить**, отпустите выключатель.

**Указание:** Из соображений безопасности выключатель не может быть зафиксирован и при работе его следует постоянно держать нажатым.

#### Указания по применению

► **Перед любыми манипуляциями с электроинструментом вытаскивайте штепсель из розетки.**

## Процедура строгания (см. рис. D)

Выберите требуемую глубину строгания и установите электроинструмент передней частью подошвы рубанка на заготовку.

► **Подводите электроинструмент к детали только во включенном состоянии.** В противном случае возникает опасность обратного удара при заклинивании рабочего инструмента в детали.

Включите электроинструмент и ведите его с равномерной подачей по обрабатываемой поверхности.

Для получения высококачественной по-

верхности работайте с низкой подачей и со средним нажимом на подошву рубанка.

При обработке твердых материалов, напр., твердой древесины и при строгании на всю максимальную ширину устанавливайте малую глубину и снижайте скорость подачи.

Завышенная подача снижает качество поверхности и может привести к быстрому засорению патрубка для выброса стружки. Только острые ножи обеспечивают хорошую производительность и бережное обращение с электроинструментом.

- Включите электроинструмент.
- Сместите давление на переднюю часть подошвы рубанка и медленно продвиньте электроинструмент вперед (1). При этом опорный башмак откидывается вверх (2) и подошва задней частью опять прилегает к обрабатываемой заготовке.
- Ведите электроинструмент по обрабатываемой поверхности с равномерной подачей (3).

## Скашивание кромок (см. рис. E)

V-образный паз в передней части подошвы позволяют быстро и просто снимать фаску с кромок заготовок.

Для этого поставьте рубанок V-образным пазом на кромку детали и ведите его вдоль детали.

## Строгание с параллельным/угловым упором (см. рис. F–G)

Установите параллельный упор или электроинструмент (спереди или сзади) с помощью крепежного винта.

## Техобслуживание и сервис

### Техобслуживание и очистка

- **Перед любыми манипуляциями с электроинструментом вытаскивайте штепсель из розетки.**
- **Для обеспечения качественной и безопасной работы следует постоянно содержать электроинструмент и вентиляционные щели в чистоте.**
- **Немедленно замените поврежденный защитный колпачок. Это рекомендуется выполнять силами сервисной мастерской.**

Если требуется поменять шнур, обращайтесь на фирму P.I.T или в авторизованную сервисную мастерскую для электроинструментов P.I.T.

## Сервис

► Ремонт вашего электроинструмента поручайте только квалифицированному персоналу и только с применением оригинальных запасных частей. Этим обеспечивается безопасность электроинструмента.

Список авторизованных сервисных центров можно посмотреть на официальном сайте P.I.T. по ссылке: <https://pittools.ru/servises/>

## Хранение и транспортировка

Сварочный аппарат следует хранить в закрытых помещениях с естественной вентиляцией при температуре от 0 до +40 °С и относительной влажности воздуха до 80%. Наличие в воздухе паров кислот, щелочей и других агрессивных примесей не допускается.

Транспортировать продукцию можно любым видом закрытого транспорта в упаковке производителя или без нее, с сохранением изделия от механических повреждений, атмосферных осадков.

## Утилизация

Отслужившие свой срок электроинструменты, принадлежности и упаковку следует сдавать на экологически чистую переработку отходов.



Утилизируйте электроинструмент

отдельно от бытового мусора!

## РАСШИФРОВКА ДАТЫ ИЗГОТОВЛЕНИЯ ИЗДЕЛИЯ

№. 

1	7	0	7	3	0	0	3	9	5
---	---	---	---	---	---	---	---	---	---

год    месяц    день

Дата изготовления изделия зашифрована в серийном номере, напечатанном на корпусе инструмента. Первые 2 цифры обозначают год выпуска, следующие 2 цифры – месяц и следующие 2 цифры – день.

## УСЛУЖИВАНИЕ ГАРАНТИЙНОГО ОБСЛУЖИВАНИЯ

1. Настоящее гарантийное свидетельство является единственным документом, подтверждающим ваше право на бесплатное гарантийное обслуживание. Без предъявления данного свидетельства претензии не принимаются. В случае утери или порчи гарантийное свидетельство не восстанов-

ливается.

2. Гарантийный срок на электроинструмент, а также зарядные устройства и аккумуляторные батареи серии OnePower составляет 12 месяцев со дня продажи, в течение гарантийного срока сервисная служба бесплатно устраняет производственные дефекты и производит замену деталей, вышедших из строя по вине изготовителя. На период гарантийного ремонта эквивалентный исправный инструмент не предоставляется. Заменяемые детали переходят в собственность служб сервиса.

Компания P.I.T. не несет ответственности за вред, который может быть причинен при работе с электроинструментом.

3. В гарантийный ремонт инструмент принимается в чистом виде, при обязательном наличии надлежащим образом оформленных документов: настоящего гарантийного свидетельства, гарантийного талона, с полностью заполненными полями, штампом торговой организации и подписью покупателя.

4. Гарантийный ремонт не производится в следующих случаях:

- при отсутствии гарантийного свидетельства и гарантийного талона или неправильном их оформлении;
- при совместном выходе из строя якоря и статора электродвигателя, при обугливаниях или оплавлении первичной обмотки трансформатора сварочного аппарата, зарядного или пуско-зарядного устройства, при оплавлении внутренних деталей, прожиге электронных плат;
- если гарантийное свидетельство или талон не принадлежат данному электроинструменту или не соответствует установленному поставщиком образцу;
- по истечении срока гарантии;
- при попытках самостоятельного вскрытия или ремонта электроинструмента вне гарантийной мастерской;
- внесения конструктивных изменений и смазки инструмента в гарантийный период, о чем свидетельствуют, например, заломы на шлицевых частях крепежа корпусных деталей.
- при использовании электроинструмента в производственных или иных целях, связанных с получением прибыли, а также при возникновении неисправностей связанных с нестабильностью параметров электросети, превышающих нормы, установленные ГОСТ;

- при неправильной эксплуатации (использование электроинструмента не по назначению, установки на электроинструмент не предназначенных заводом-изготовителем насадок, дополнительных приспособлений и т.п.;

- при механических повреждениях корпуса, сетевого шнура и при повреждениях, вызванных воздействиями агрессивных средств и высоких и низких температур, попадании инородных предметов в вентиляционные решетки электроинструмента, а также при повреждениях, наступивших в результате неправильного хранения (коррозия металлических частей);

- при естественном износе деталей электроинструмента, в результате длительной эксплуатации (определяется по признакам полной или частичной выработки ресурса, сильного загрязнения, ржавчины снаружи и внутри электроинструмента, отработанной смазки в редукторе);

- использование инструмента не по назначению, указанному в инструкции по эксплуатации.

- при механических повреждениях инструмента;

- при возникновении повреждений в связи с несоблюдением предусмотренных инструкцией условий эксплуатации (см. главу «Указание по технике безопасности» в инструкции).

- повреждение изделия вследствие несоблюдения правил хранения и транспортировки.

- при сильном внутреннем загрязнении инструмента.

Профилактическое обслуживание электроинструмента (чистка, промывка, смазка, замена пыльников, поршневых и уплотнительных колец) в гарантийный период является платной услугой.

Срок службы изделия составляет 3 года. Срок хранения – 2 года. Не рекомендуется к эксплуатации по истечении 2 лет хранения с даты изготовления, которая указана в серийном номере на этикетке инструмента, без предварительной проверки (определение даты выпуска смотрите ранее в Руководстве пользователя).

О возможных нарушениях, изложенных выше условий гарантийного обслуживания, владельцу сообщается после проведения диагностики в сервисном центре.

Владелец инструмента доверяет проведение диагностики в сервисном центре в свое

отсутствие.

Запрещается эксплуатация электроинструмента при проявлении признаков повышенного нагрева, искрения, а также шума в редукторной части. Для выяснения причин неисправности покупателю следует обратиться в гарантийную мастерскую.

Неисправности, вызванные несвоевременной заменой угольных щеток двигателя, устраняются за счет покупателя.

5.Гарантия не распространяется на:

- сменные принадлежности (аксессуары и оснастка), например: аккумуляторы, диски, ножи, сверла, буры, патроны, цепи, звездочки, цанговые зажимы, шины, элементы натяжения и крепления, головки триммеров, подошвы шлифовальных и ленточных машин, фильтры, головки шестигранные сменные насадки и т.п.

- быстроизнашивающиеся детали, например: угольные щетки, приводные ремни, сальники, защитные кожухи, направляющие ролики, направляющие, резиновые уплотнения, подшипники, зубчатые ремни и колеса, стволы, ленты тормоза, храповики и тросы стартеров, поршневые кольца и т.п.

Замена их в течение гарантийного срока является платной услугой.

-шнуры питания, в случае повреждения изоляции, шнуры питания подлежат обязательной замене без согласия владельца (услуга платная), в т.ч. корпуса инструмента.



# P.I.T. WARRANTY CERTIFICATE



Product Name \_\_\_\_\_

Product Serial Number

Charger Serial Number

Sale Date \_\_\_\_\_

Trade Organization Name \_\_\_\_\_

Dear customer!

Thank you for purchasing the P.I.T tool, and we hope that you will be satisfied with your choice. In the process of manufacturing the P.I.T tools pass multilevel quality control, if nevertheless your product will need maintenance, please contact the authorized P.I.T service centers.

Attention!

When buying, ask a seller to check the completeness and operability of the tool, to fill out the Warranty Certificate, the Warranty Card (the boxes shall be filled out by a seller) and to affix the seal of the trade organization in the Guarantee Certificate and the Warranty Card.

Warranty

By this Warranty Certificate, P.I.T. company guarantees the absence of defects of the production nature.

In the event any of the above defects are detected during the warranty period, the specialized P.I.T. service centers shall repair the product and replace the defective spare parts free of charge.

The warranty period for P.I.T. electric machines is 12 months from the date of sale.

“The warranty maintenance terms acknowledged and accepted. The operability and completeness of the product are checked in my presence. No claims on quality and appearance.”

Buyer's Signature \_\_\_\_\_ Surname (legibly) \_\_\_\_\_

Phone \_\_\_\_\_

**ГАРАНТИЙНОЕ СВИДЕТЕЛЬСТВО НА ИНСТРУМЕНТ Р.І.Т.**

Наименование изделия \_\_\_\_\_

Серийный номер изделия □□□□□□□□□□

Серийный номер зарядного устройства □□□□□□□□□□

Дата продажи « \_\_\_\_ » \_\_\_\_\_

Наименование торговой организации \_\_\_\_\_

Уважаемый покупатель!

М.П.

Благодарим Вас за покупку инструмента Р.І.Т. и надеемся, что Вы останетесь довольны своим выбором.

При необходимости обслуживания Вашего изделия обращайтесь в авторизованные сервисные центры Р.І.Т. Все сервисные центры представлены на сайте [www.pittools.ru](http://www.pittools.ru)

**Внимание!**

При покупке требуйте у продавца проверки работоспособности инструмента и его комплектности, а также заполнения гарантийного свидетельства, гарантийного талона (графы «Заполняются продавцом») и простановки печати торговой организации в гарантийном свидетельстве и гарантийных талонах.

**Гарантия**

На основании данного гарантийного свидетельства компания Р.І.Т. гарантирует отсутствие дефектов производственного характера.

Если в течение гарантийного срока в Вашем изделии обнаружатся указанные дефекты, то специализированные сервисные центры Р.І.Т. бесплатно отремонтируют изделие и заменят дефектные запасные части.

Гарантийный срок на электроинструменты Р.І.Т. составляет 12 месяцев со дня продажи.

«С условиями гарантийного обслуживания ознакомлен(а). Работоспособность и комплектность изделия проверены в моем присутствии. Претензий к качеству и внешнему виду не имею».

Подпись покупателя \_\_\_\_\_ Фамилия (разборчиво) \_\_\_\_\_

Телефон \_\_\_\_\_

# P.I.T. WARRANTY CARD

Name _____ Serial Number _____ Sale Date _____ 20__ Date of Receipt from Repair _____ 20__	<b>P.I.T.</b>		<b>№ 1</b>
	Name _____		Place of Seal
	Serial Number _____		
	Sale Date _____ 20__		
	(Filled out by a Seller)		
	WARRANTY REPAIR CARD		
	Date of Acceptance for Repair _____ 20__		
	Application for Repair _____		
	Customer _____		
	Phone (Address) _____		
Cause of Application _____			
Date of Receipt from Repair _____ 20__			
The Tool is checked in my presence _____			
(The Order shall be performed in a Service Center) (Signature)			

Name _____ Serial Number _____ Sale Date _____ 20__ Date of Receipt from Repair _____ 20__	<b>P.I.T.</b>		<b>№ 2</b>
	Name _____		Place of Seal
	Serial Number _____		
	Sale Date _____ 20__		
	(Filled out by a Seller)		
	WARRANTY REPAIR CARD		
	Date of Acceptance for Repair _____ 20__		
	Application for Repair _____		
	Customer _____		
	Phone (Address) _____		
Cause of Application _____			
Date of Receipt from Repair _____ 20__			
The Tool is checked in my presence _____			
(The Order shall be performed in a Service Center) (Signature)			

Name _____ Serial Number _____ Sale Date _____ 20__ Date of Receipt from Repair _____ 20__	<b>P.I.T.</b>		<b>№ 3</b>
	Name _____		Place of Seal
	Serial Number _____		
	Sale Date _____ 20__		
	(Filled out by a Seller)		
	WARRANTY REPAIR CARD		
	Date of Acceptance for Repair _____ 20__		
	Application for Repair _____		
	Customer _____		
	Phone (Address) _____		
Cause of Application _____			
Date of Receipt from Repair _____ 20__			
The Tool is checked in my presence _____			
(The Order shall be performed in a Service Center) (Signature)			

## ГАРАНТИЙНЫЙ ТАЛОН P.I.T.

P.I.T.

Талон № 1

Наименование \_\_\_\_\_  
 Серийный номер \_\_\_\_\_  
 Дата продажи « \_\_\_\_ » \_\_\_\_\_ 20\_\_ Place of Seal  
 (Заполняется продавцом)  
 КАРТА ГАРАНТИЙНОГО РЕМОНА  
 Дата приема ремонт \_\_\_\_\_ 20\_\_  
 Заявка на ремонт \_\_\_\_\_  
 Заказчик \_\_\_\_\_  
 Телефон (адрес) \_\_\_\_\_  
 Причина обращения \_\_\_\_\_  
 Дата получения от ремонта \_\_\_\_\_ 20\_\_  
 Инструмент проверен в моем присутствии \_\_\_\_\_  
 (Заказ заполняется в Сервисном Центре) (Подпись)

Наименование \_\_\_\_\_  
 Серийный номер \_\_\_\_\_  
 Дата продажи \_\_\_\_\_ 20\_\_  
 Дата получения от ремонта \_\_\_\_\_ 20\_\_

P.I.T.

Талон № 2

Наименование \_\_\_\_\_  
 Серийный номер \_\_\_\_\_  
 Дата продажи « \_\_\_\_ » \_\_\_\_\_ 20\_\_ Place of Seal  
 (Заполняется продавцом)  
 КАРТА ГАРАНТИЙНОГО РЕМОНА  
 Дата приема ремонт \_\_\_\_\_ 20\_\_  
 Заявка на ремонт \_\_\_\_\_  
 Заказчик \_\_\_\_\_  
 Телефон (адрес) \_\_\_\_\_  
 Причина обращения \_\_\_\_\_  
 Дата получения от ремонта \_\_\_\_\_ 20\_\_  
 Инструмент проверен в моем присутствии \_\_\_\_\_  
 (Заказ заполняется в Сервисном Центре) (Подпись)

Наименование \_\_\_\_\_  
 Серийный номер \_\_\_\_\_  
 Дата продажи \_\_\_\_\_ 20\_\_  
 Дата получения от ремонта \_\_\_\_\_ 20\_\_

P.I.T.

Талон № 3

Наименование \_\_\_\_\_  
 Серийный номер \_\_\_\_\_  
 Дата продажи « \_\_\_\_ » \_\_\_\_\_ 20\_\_ Place of Seal  
 (Заполняется продавцом)  
 КАРТА ГАРАНТИЙНОГО РЕМОНА  
 Дата приема ремонт \_\_\_\_\_ 20\_\_  
 Заявка на ремонт \_\_\_\_\_  
 Заказчик \_\_\_\_\_  
 Телефон (адрес) \_\_\_\_\_  
 Причина обращения \_\_\_\_\_  
 Дата получения от ремонта \_\_\_\_\_ 20\_\_  
 Инструмент проверен в моем присутствии \_\_\_\_\_  
 (Заказ заполняется в Сервисном Центре) (Подпись)

Наименование \_\_\_\_\_  
 Серийный номер \_\_\_\_\_  
 Дата продажи \_\_\_\_\_ 20\_\_  
 Дата получения от ремонта \_\_\_\_\_ 20\_\_



www.pit-tools.com

# P.I.T.

**Поставщик / производитель:** Xinjiang Longbo Industrial Co., Ltd./Синьцзян Лонгбо Индастриал Ко., Лтд.

**Адрес производства:** Rm. 602, 6th Floor, No. 531, Weixing Road, Economic And Technological Development Zone, Urumqi, Xinjiang, China / Оф.602, 6 этаж, №531, Вейшинг Родд, Экономик Энд Технолоджикал Девелопмент Зон, Урумчи, Синьцзян, Китай

**Импортер/ организация, уполномоченная принимать претензии:** ООО «Турбо-Тулс»

**Юридический адрес:** 117246, г. Москва, ул. Херсонская, 43 - 670

**Вопросы и предложения направляйте по адресу:** 614058, г. Пермь, ул. Фоминская, 36

**Горячая линия по сервисному обслуживанию:**



\*2445 Звонки с мобильного  
бесплатны

[info@pittools.ru](mailto:info@pittools.ru)

Сделано в КНР / Made in China

ERC